

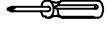

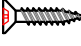



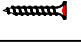



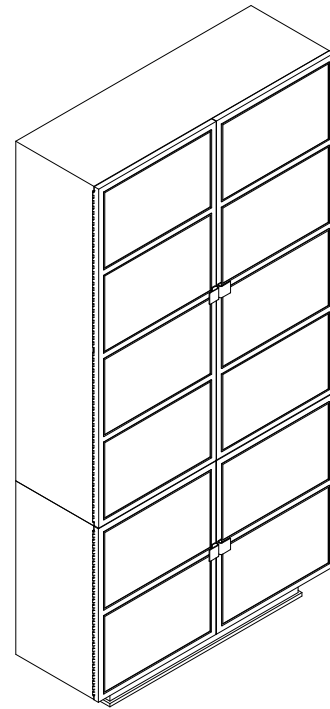


# JULIAN CHICHESTER

## ROYERE TALL CABINET ASSEMBLY INSTRUCTIONS

NO.	ITEM	DESCRIPTION	QTY
1		Brass washer	3
2		Brass bolt - m6*30	4
3		Screw Drive	Not Included
4		Steel bracket	2
5		Steel screw M4*20	12
6		Steel Bolt M4*15mm	2
7		Steel Bracket	2
8		Wall Plug	2
9		Steel screw M4*30mm	2
10		Flat washer Ø6	2
11		Spring washer Ø6	2
12		Shelf support	24

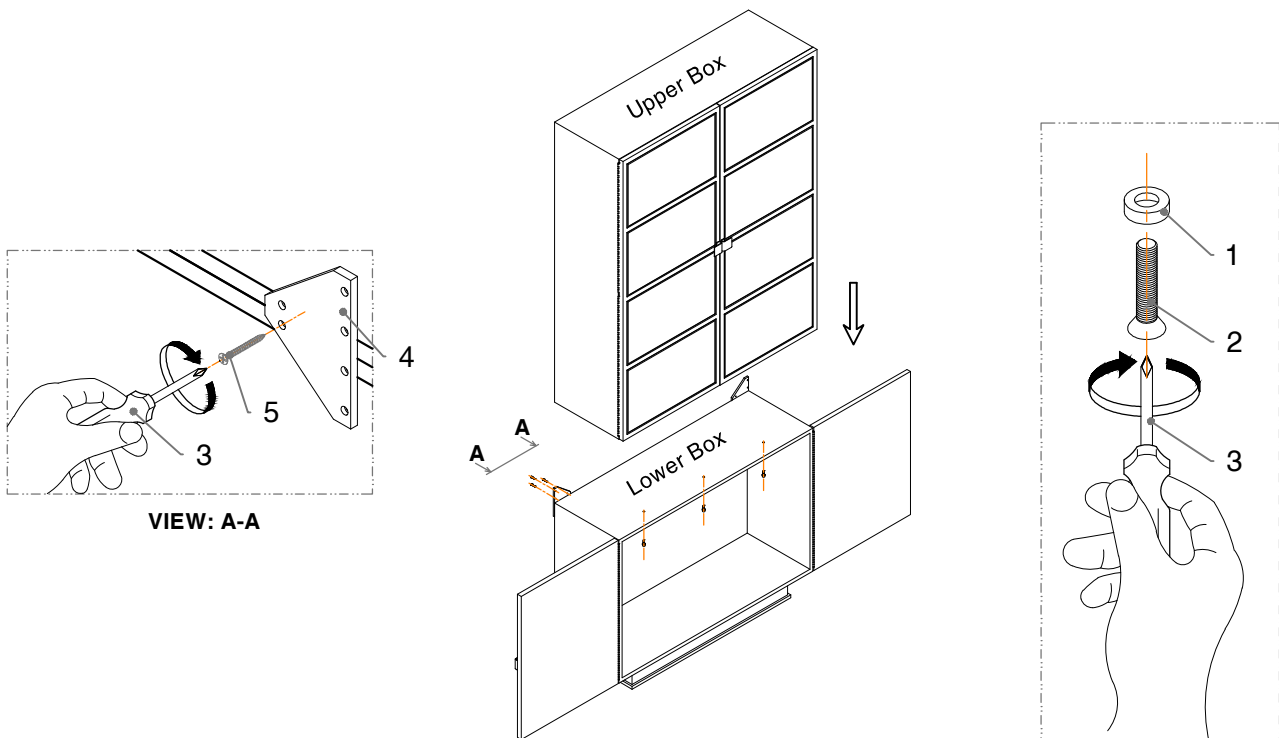


ROYERE TALL CABINET

**Step 1;** Unpack Cabinet.

**Step 2;** Placed the Lower box of Cabinet on the flat floor. But on the Upper box to top of the Lower box.

**Step 3;** With the connecting bolts (2), Steel Bracket (4) and Steel screws (5) attached to the Cabinet, Using Screw Drive (3) to Assemble the Lower and Upper Boxes



### WARNING

\* PLEASE FIT THE BRACKETS PROVIDED TO THE TOP OF THE CABINET AND AN ADJACENT WALL.  
\* THIS IS TO PREVENT THE CABINET FROM TIPPING FORWARD IN SOME CIRCUMSTANCES.

High Point

1120 Bedford Street, High Point, NC 27263

Office +1(336) 886 2454 @jchichesterusa

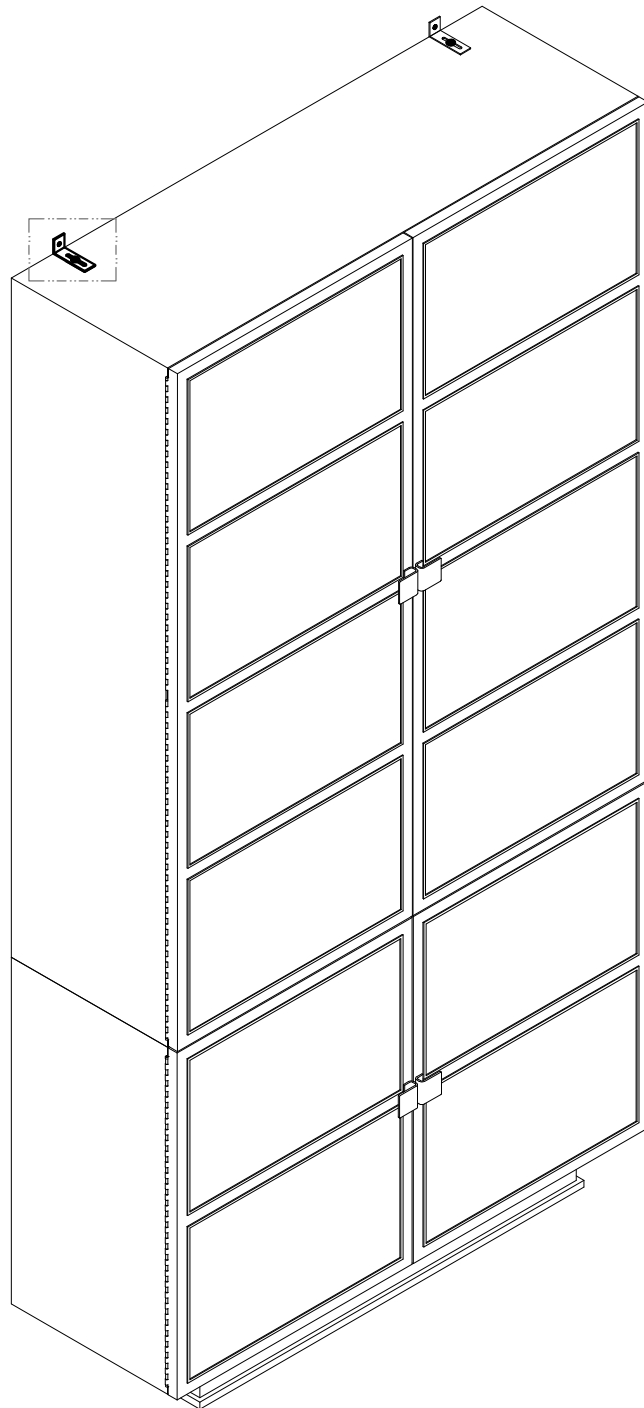
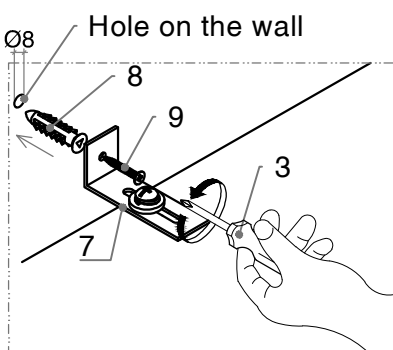
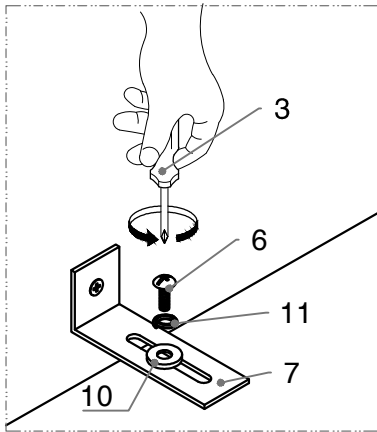
sales@julianchichesterusa.com

julianchichester.com

# JULIAN CHICHESTER

## ROYERE TALL CABINET ASSEMBLY INSTRUCTIONS

- Step 4:** With the brackets attached to the Cabinet (7), position the Cabinet where it will finally stand and mark where the holes for wall plugs (8) will be.
- Step 5:** Detach the brackets (7) from the Cabinet.
- Step 6:** Drill two 8mm diameter holes where was marked in the wall and insert the wall plugs (8).
- Step 7:** Install the brackets (7) into the wall using screw (9).
- Step 8:** Position the Cabinet with the wall brackets then attach the brackets into the cabinet using washers (10), (11) and bolt (6)



High Point

1120 Bedford Street, High Point, NC 27263

Office +1(336) 886 2454 @jchichesterusa

sales@julianchichesterusa.com

[julianchichester.com](http://julianchichester.com)

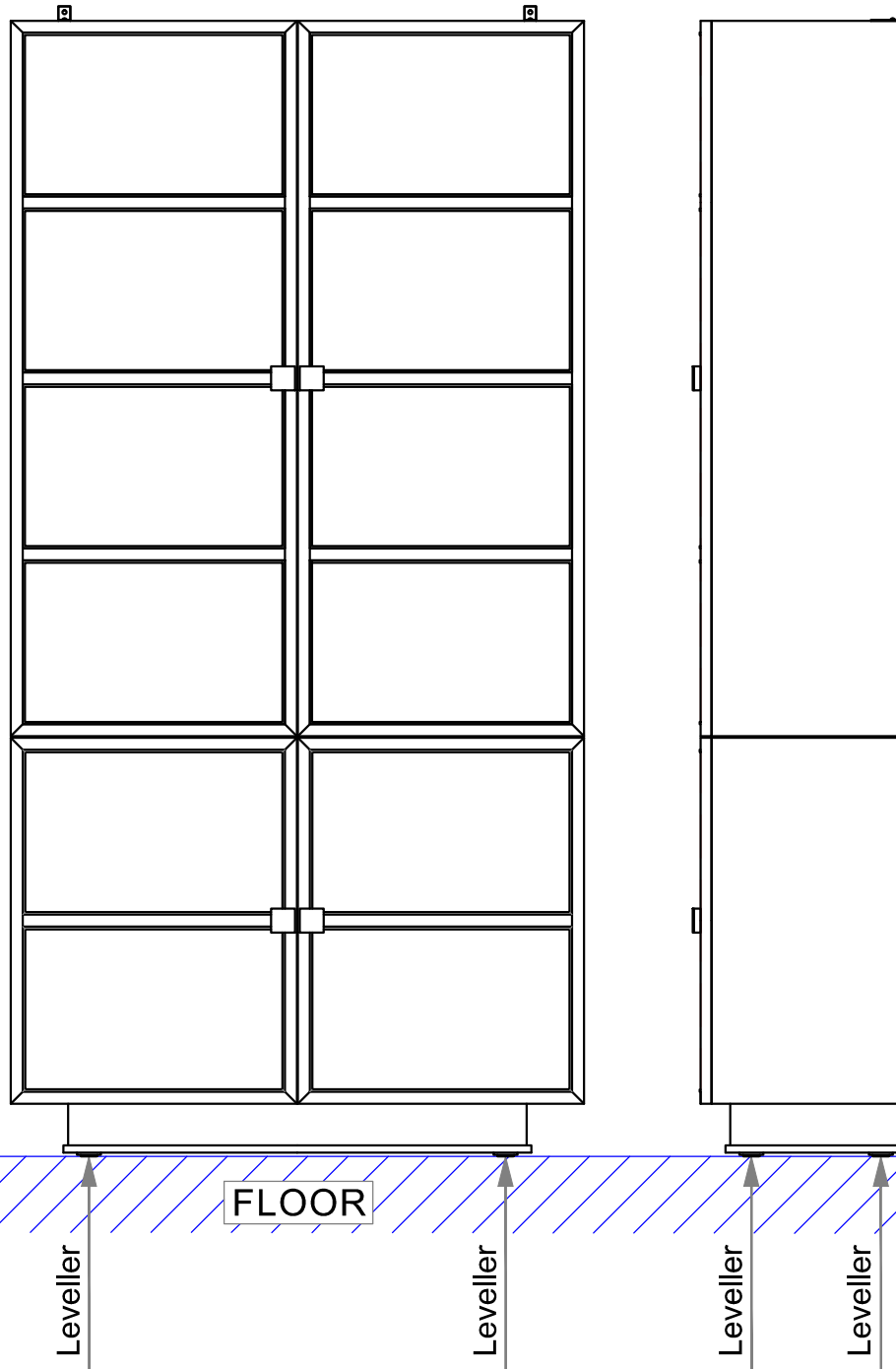
Page 2 of 4

# JULIAN CHICHESTER

## ROYERE TALL CABINET ASSEMBLY INSTRUCTIONS

WHEN THE CABINET IS INSTALLED IN POSITION, THE LEVELLERS AT THE BOTTOM OF THE FEET MAY NEED ADJUSTING TO MAKE SURE THE CABINET IS LEVEL AND THE DOORS LINE UP AND FUNCTION CORRECTLY.

FAILURE TO DO THIS MAY RESULT IN SOME DAMAGE TO THE DOORS.



High Point

1120 Bedford Street, High Point, NC 27263

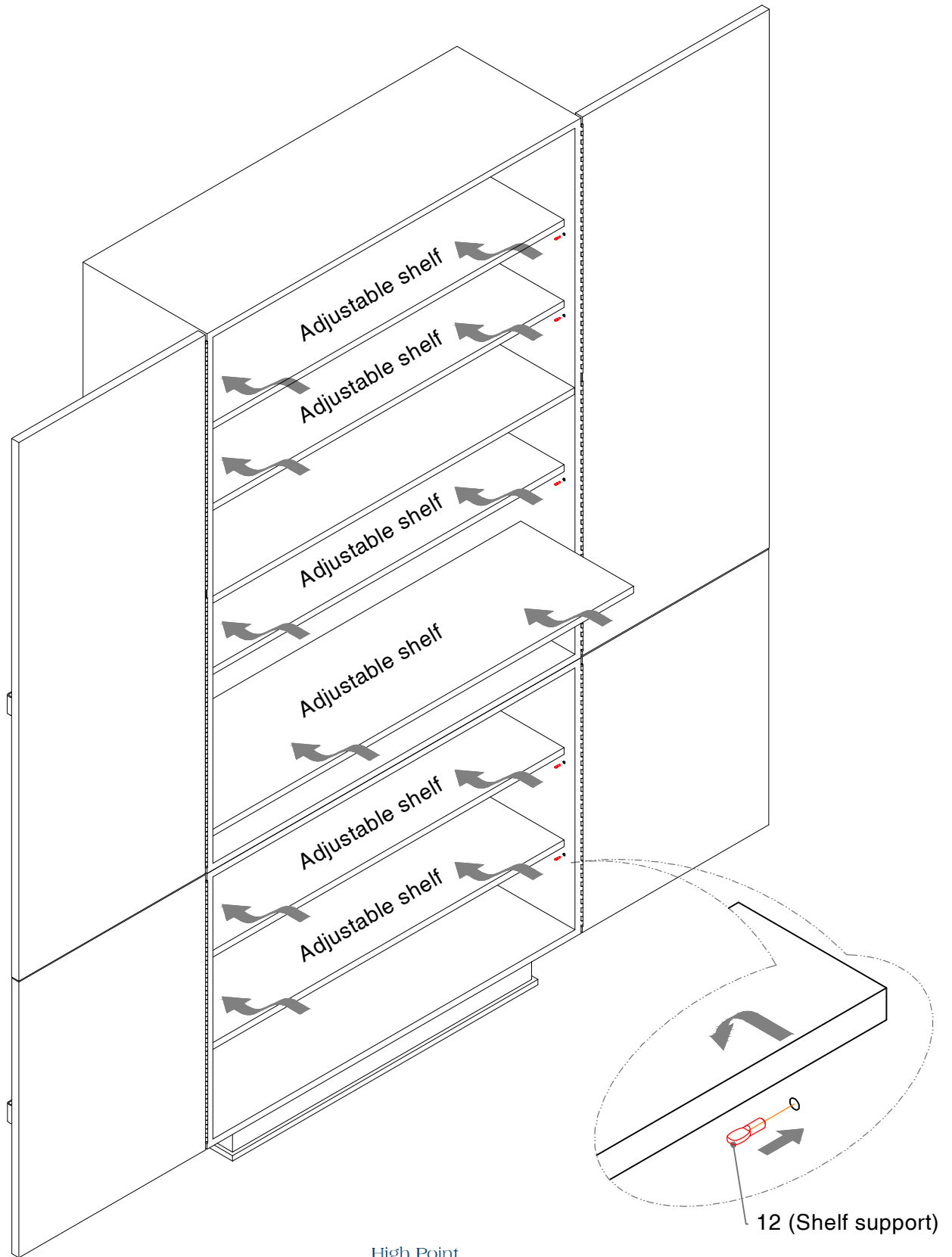
Office +1(336) 886 2454 @jchichesterusa

sales@julianchichesterusa.com

[julianchichester.com](http://julianchichester.com)

# JULIAN CHICHESTER

## ROYERE TALL CABINET ASSEMBLY INSTRUCTIONS



High Point

1120 Bedford Street, High Point, NC 27263

Office +1(336) 886 2454 @jchichesterusa

sales@julianchichesterusa.com

[julianchichester.com](http://julianchichester.com)