





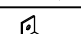
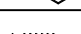
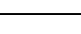



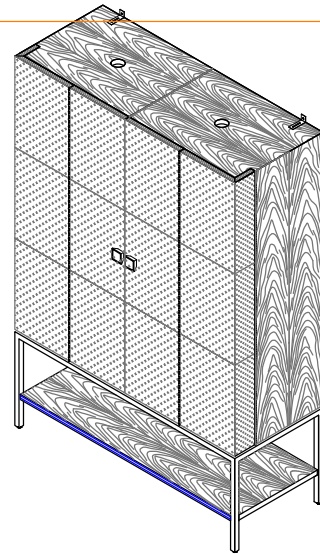


# JULIAN CHICHESTER

## POLLOCK CABINET ASSEMBLY INSTRUCTIONS

NO.	ITEM	DESCRIPTION	QTY
1		Connecting Bolts	6
2		Steel Bolt M6*40mm	4
3		Steel Bolt M6*30mm	4
4		Hexagonal Key	1
5		Screw Drive	Not Included
6		Steel Bolt M4*15mm	2
7		Steel Bracket	2
8		Wall Plug	2
9		Steel screw M4*30mm	2
10		Flat washer Ø6	10
11		Spring washer Ø6	10
12		Shelf support	16

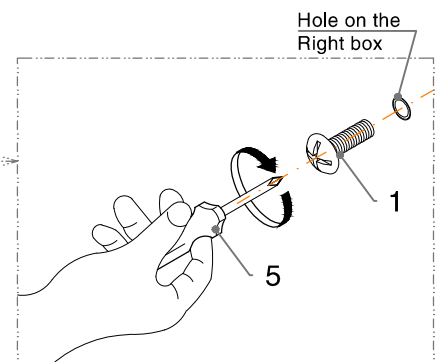
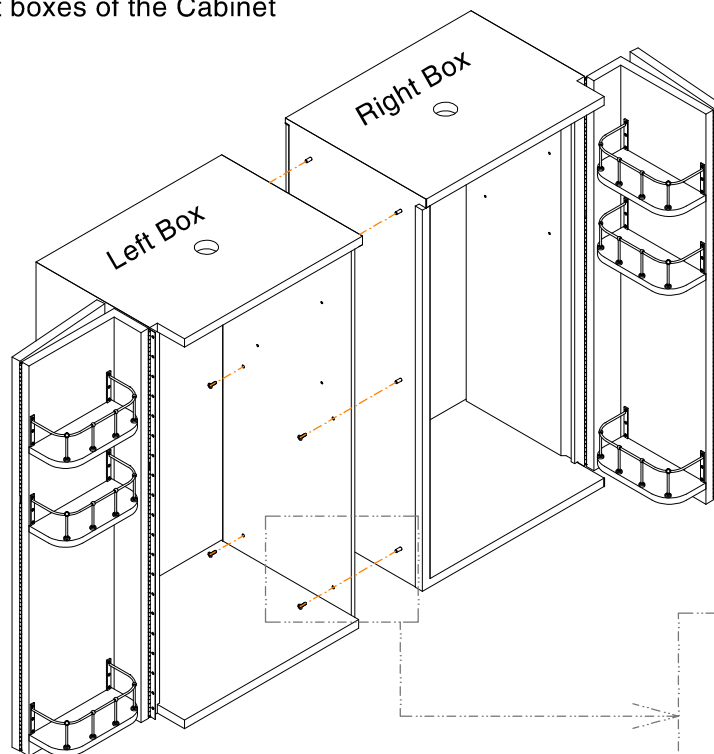


Pollock Drinks Cabinet, ABS - EGL - FGO

**Step 1;** Unpack Cabinet.

**Step 2;** Placed right and left boxes of Cabinet on the flat floor

**Step 3;** With the connecting bolts (1) attached to the Cabinet, Using Screw Drive (5) to Assemble the Left and Right boxes of the Cabinet



### WARNING

\* PLEASE FIT THE BRACKETS PROVIDED TO THE TOP OF THE CABINET AND AN ADJACENT WALL.  
\* THIS IS TO PREVENT THE CABINET FROM TIPPING FORWARD IN SOME CIRCUMSTANCES.

High Point

1120 Bedford Street, High Point, NC 27263

Office +1(336) 886 2454 @jchichesterusa

sales@julianchichesterusa.com

[julianchichester.com](http://julianchichester.com)

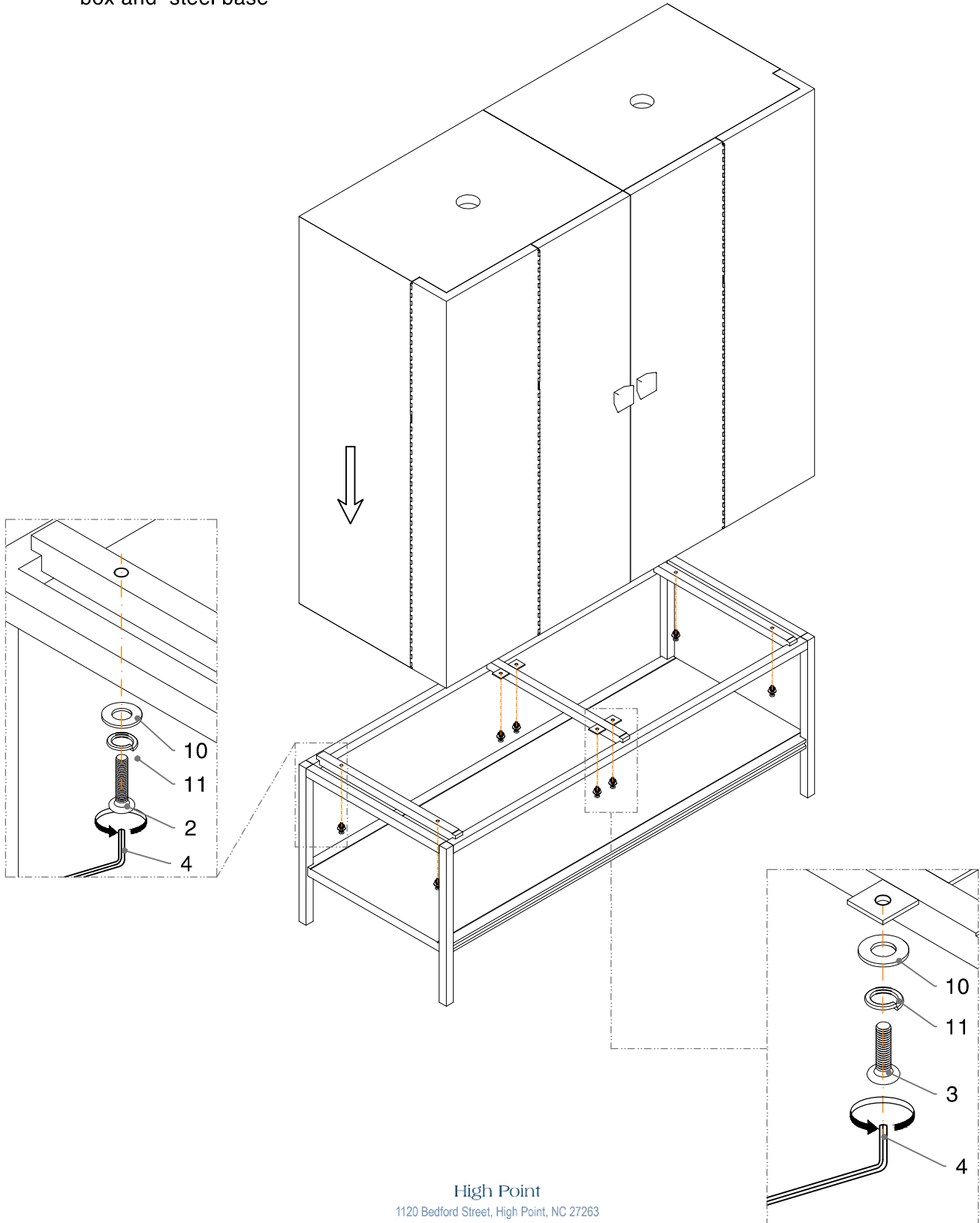
# JULIAN CHICHESTER

## POLLOCK CABINET ASSEMBLY INSTRUCTIONS

**Step 4;** Placed the Steel Base on the flat floor

**Step 5;** Put the assembled boxes of Cabinet on the Steel Base

**Step 6;** With the connecting bolts (2), (3) attached to the Cabinet, Using Hexagonal key (4) to Assemble the box and steel base



High Point

1120 Bedford Street, High Point, NC 27263

Office +1(336) 886 2454 @jchichesterusa

sales@julianchichesterusa.com

[julianchichester.com](http://julianchichester.com)

# JULIAN CHICHESTER

## POLLOCK CABINET ASSEMBLY INSTRUCTIONS

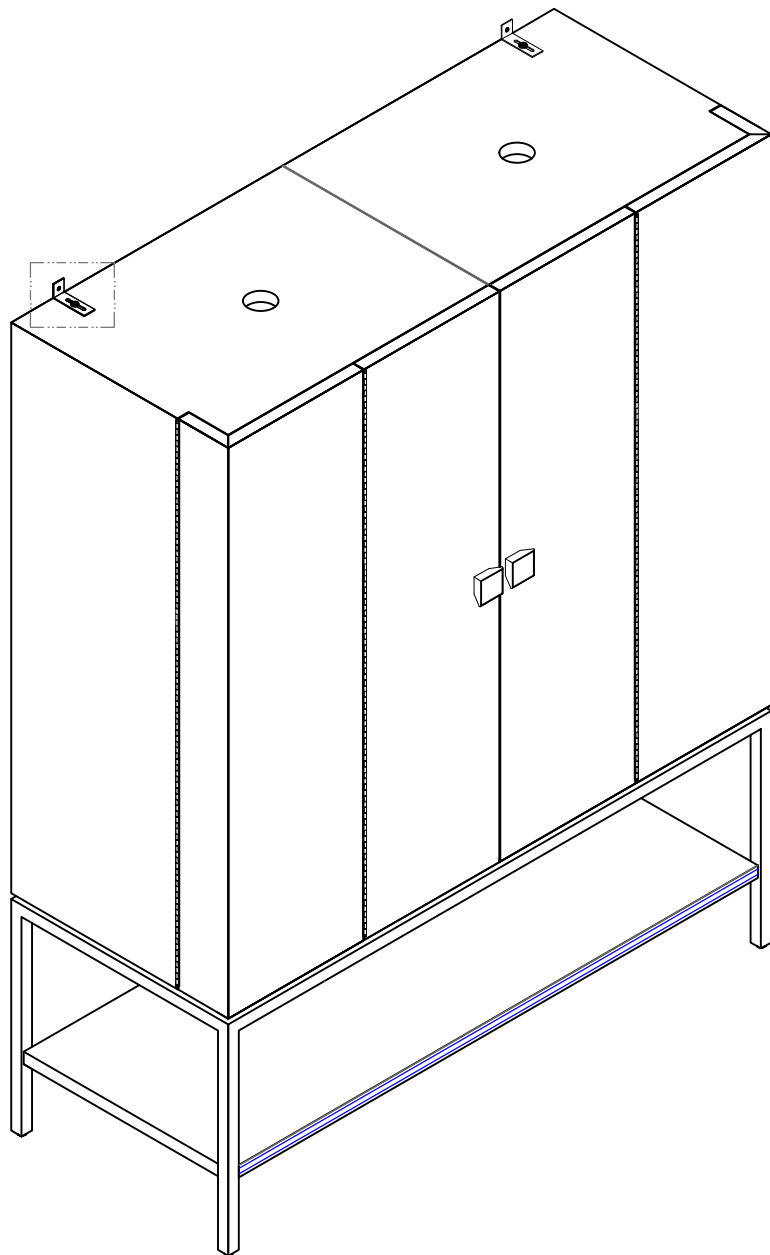
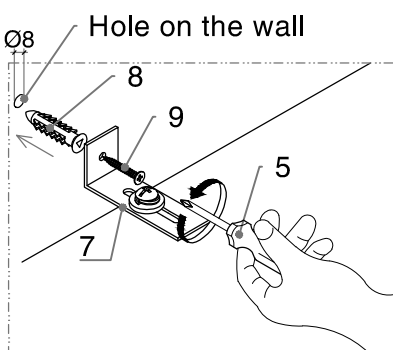
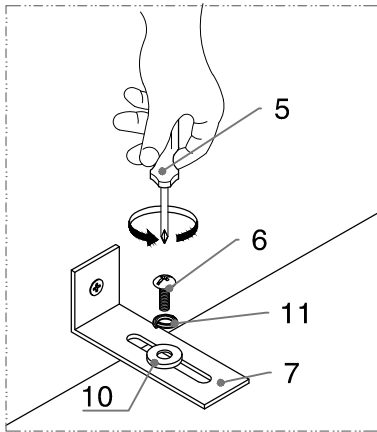
**Step 7;** With the brackets attached to the Cabinet, position the Cabinet where it will finally stand and mark where the holes for wall plugs (8) will be.

**Step 8;** Detach the brackets from the Cabinet.

**Step 9;** Drill two 8mm diameter holes where was marked in the wall and insert the wall plugs.

**Step 10;** Install the brackets into the wall using screw (9).

**Step 11;** Position the Cabinet with the wall brackets then attach the brackets into the cabinet using washers (10), (11) and bolt (6)



High Point

1120 Bedford Street, High Point, NC 27263

Office +1(336) 886 2454 @jchichesterusa

sales@julianchichesterusa.com

[julianchichester.com](http://julianchichester.com)

Page 3 of 5

# JULIAN CHICHESTER

## POLLOCK CABINET ASSEMBLY INSTRUCTIONS

WHEN THE CABINET IS INSTALLED IN POSITION, THE LEVELLERS AT THE BOTTOM OF THE FEET MAY NEED ADJUSTING TO MAKE SURE THE CABINET IS LEVEL AND THE DOORS LINE UP AND FUNCTION CORRECTLY.

FAILURE TO DO THIS MAY RESULT IN SOME DAMAGE TO THE DOORS.



High Point

1120 Bedford Street, High Point, NC 27263

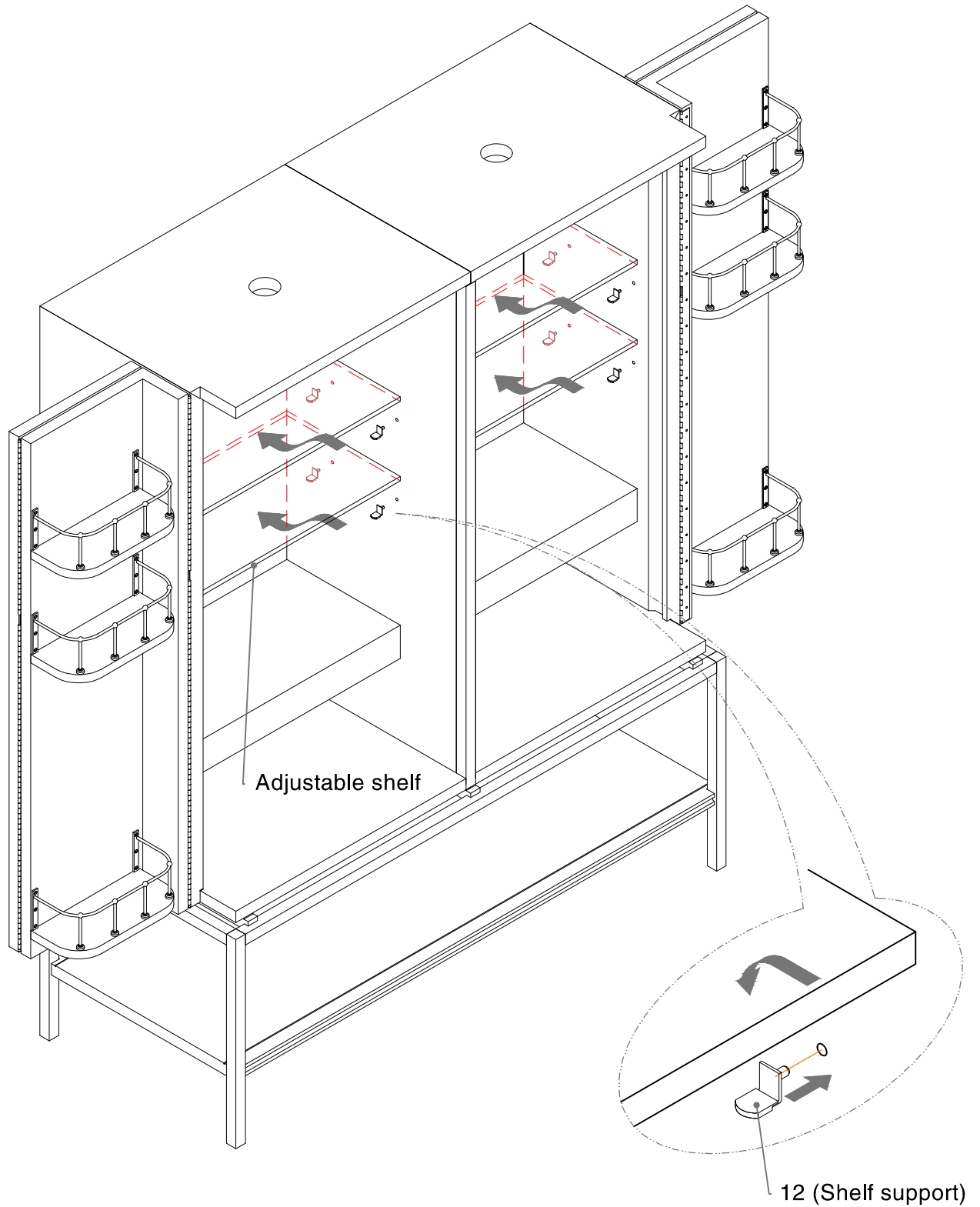
📞 Office +1(336) 886 2454 🐦 @jchichesterusa

📧 sales@julianchichesterusa.com

[julianchichester.com](http://julianchichester.com)

# JULIAN CHICHESTER

## POLLOCK CABINET ASSEMBLY INSTRUCTIONS



High Point

1120 Bedford Street, High Point, NC 27263

Office +1(336) 886 2454 @jchichesterusa

sales@julianchichesterusa.com

[julianchichester.com](http://julianchichester.com)