











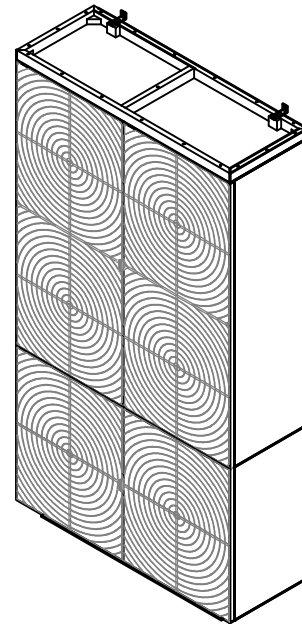


JULIAN CHICHESTER

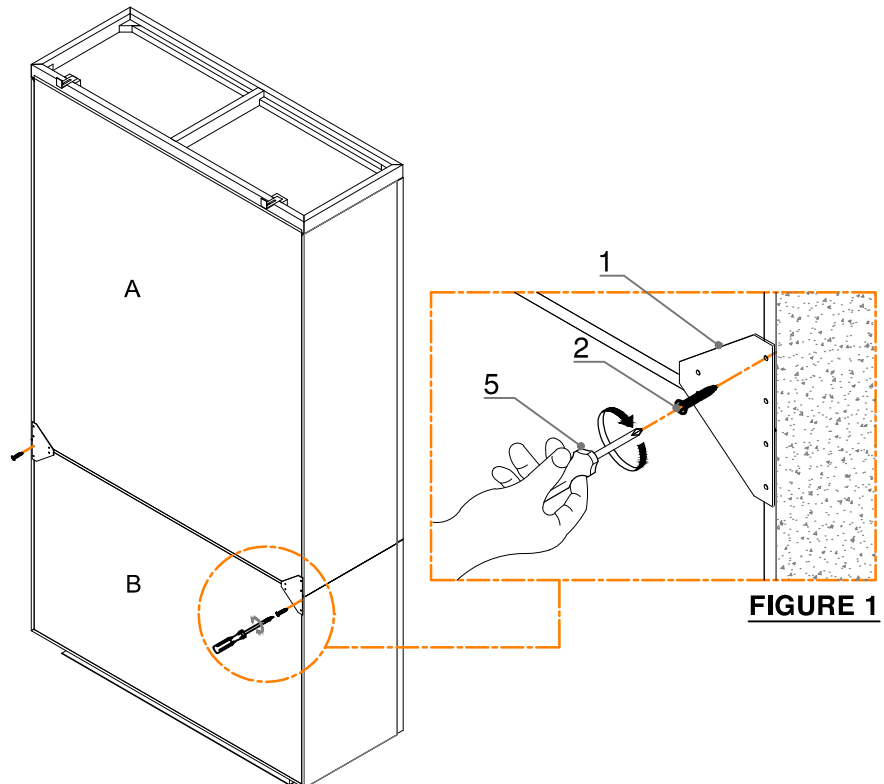
ABBADO TALL CABINET ASSEMBLY INSTRUCTIONS

NO.	ITEM	DESCRIPTION	QTY
1		Steel bracket	2
2		Steel screw M4x30mm	12
3		Bolt M6*30mm	2
4		Washers	2
5		Screw Drive	Not Included
6		Steel Bolt M4*20mm	2
7		Steel Bracket	2
8		Wall Plug	2
9		Steel screw M4*30mm	2
10		Flat washer Ø6	2
11		Spring washer Ø6	2
12		Shelf support	16



ABBADO TALL CABINET, ABS - PBV - SYC

Step 1: - Place top cabinet (A) on the bottom cabinet (B). Screw in brackets (1) using screw provided (2) as shown in figure 1.



WARNING

* PLEASE FIT THE BRACKETS PROVIDED TO THE TOP OF THE CABINET AND AN ADJACENT WALL.
* THIS IS TO PREVENT THE CABINET FROM TIPPING FORWARD IN SOME CIRCUMSTANCES.

High Point

1120 Bedford Street, High Point, NC 27263

Office +1(336) 886 2454 @jchichesterusa

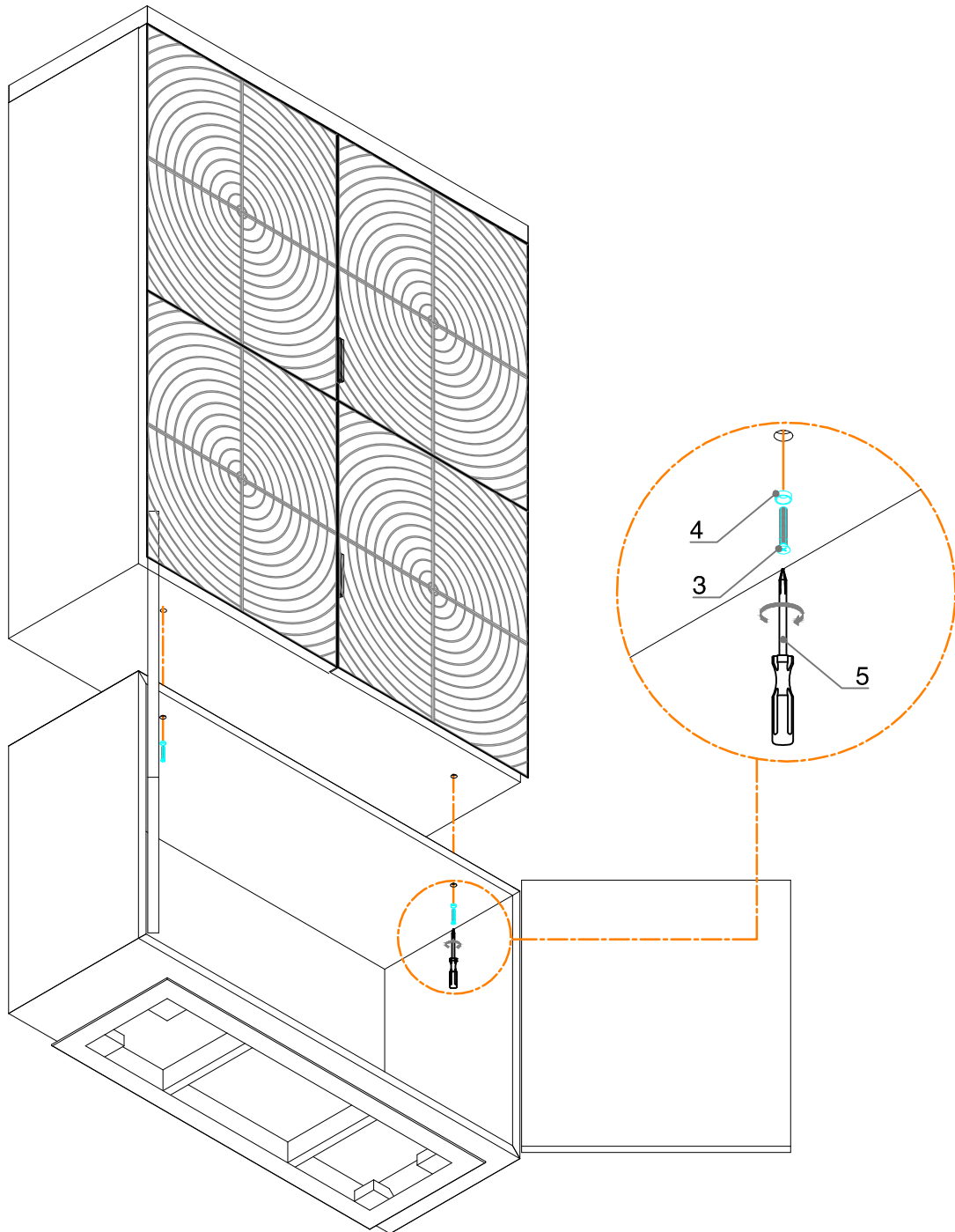
sales@julianchichesterusa.com

julianchichester.com

JULIAN CHICHESTER

ABBADO TALL CABINET ASSEMBLY INSTRUCTIONS

Step 2: - With the connecting bolts (3) and washer (4) attached to the Cabinet, Using Screw Drive (5) to assemble the top and bottom boxes of the Cabinet.



High Point

1120 Bedford Street, High Point, NC 27263

📞 Office +1(336) 886 2454 🐦 @jchichesterusa

📧 sales@julianchichesterusa.com

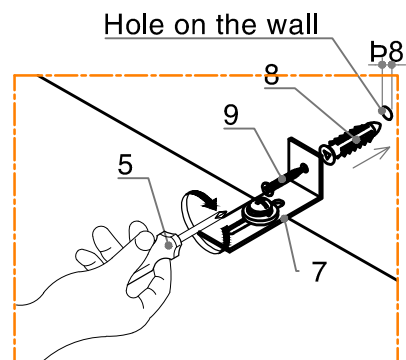
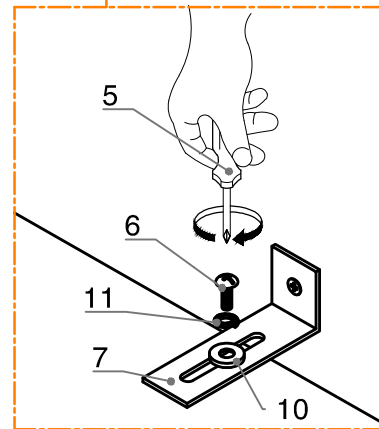
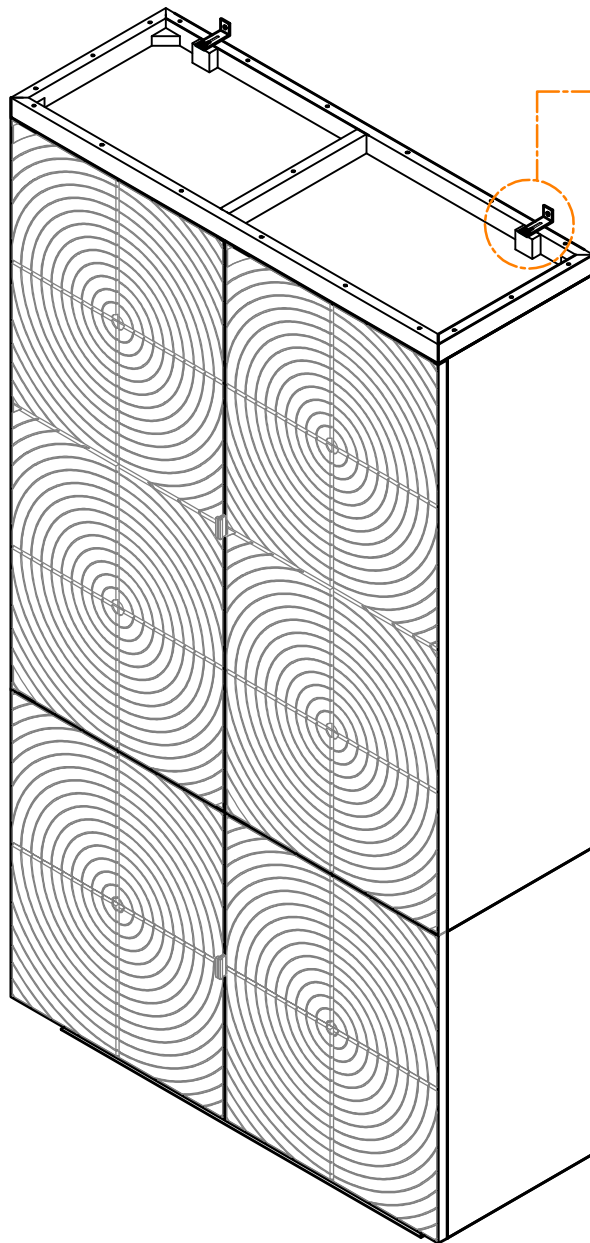
julianchichester.com

Page 2 of 4

JULIAN CHICHESTER

ABBADO TALL CABINET ASSEMBLY INSTRUCTIONS

- Step 3:** - With the brackets(7) attached to the Cabinet, position the Cabinet where it will finally stand and mark where the holes for wall plugs (8) will be.
- Detach the brackets from the Cabinet.
 - Drill two 8mm diameter holes where was marked in the wall and insert the wall plugs.
 - Install the brackets into the wall using screw (9).
 - Position the Cabinet with the wall brackets then attach the brackets into the cabinet using washers (10), (11) and bolt (6)



High Point

1120 Bedford Street, High Point, NC 27263

Office +1(336) 886 2454 @jchichesterusa

sales@julianchichesterusa.com

julianchichester.com

Page 3 of 4

JULIAN CHICHESTER

ABBADO TALL CABINET ASSEMBLY INSTRUCTIONS

Step 4: - Insert shelf supports (12) into the holes and then insert shelves (C) as shown in figure 1.

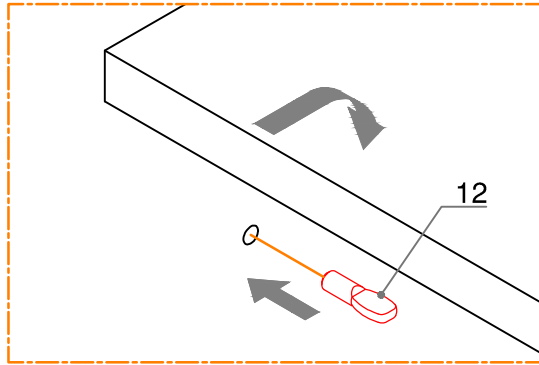
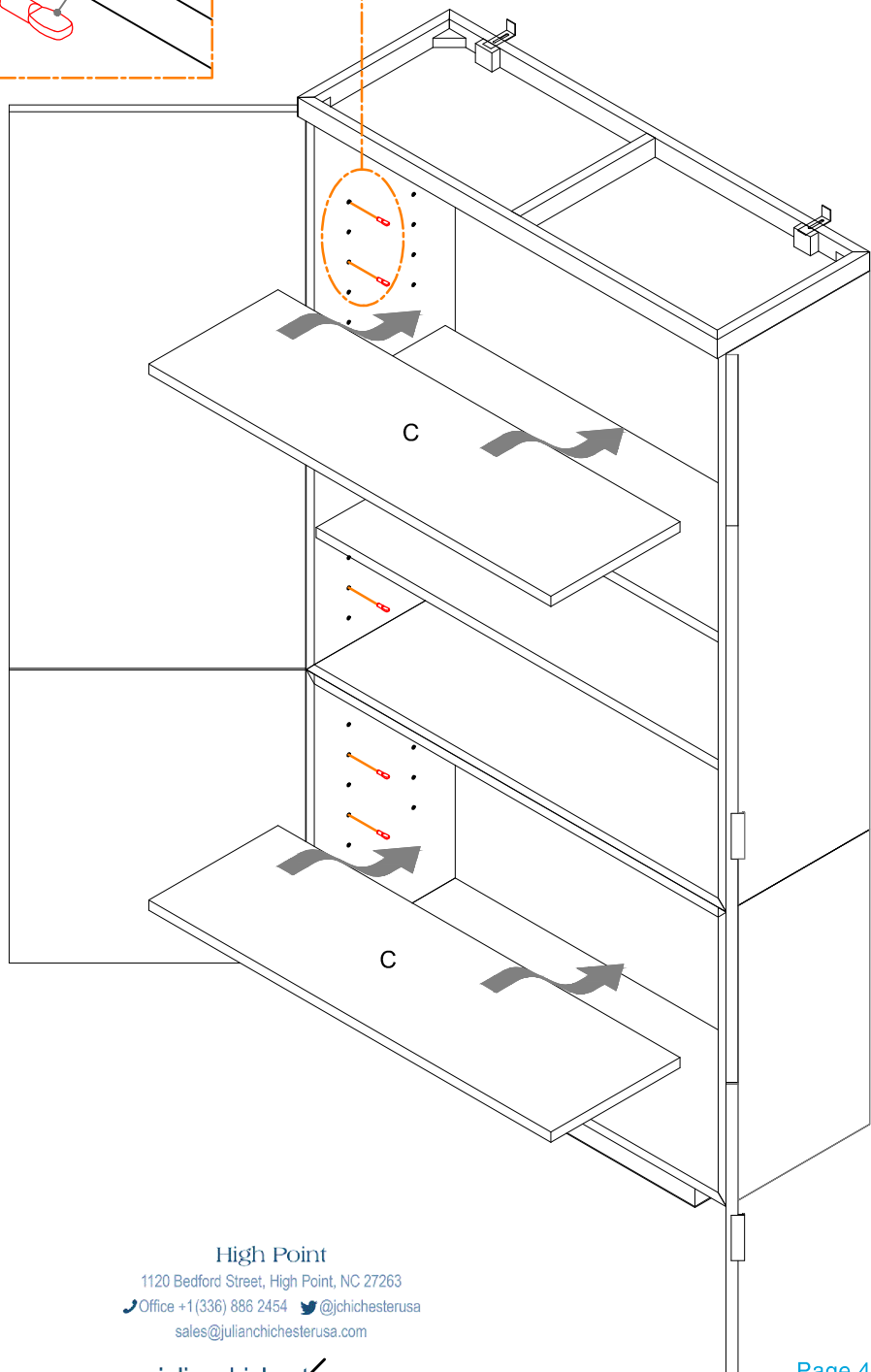


FIGURE 1



High Point

1120 Bedford Street, High Point, NC 27263

Office +1(336) 886 2454 @jchichesterusa

sales@julianchichesterusa.com

julianchichester.com