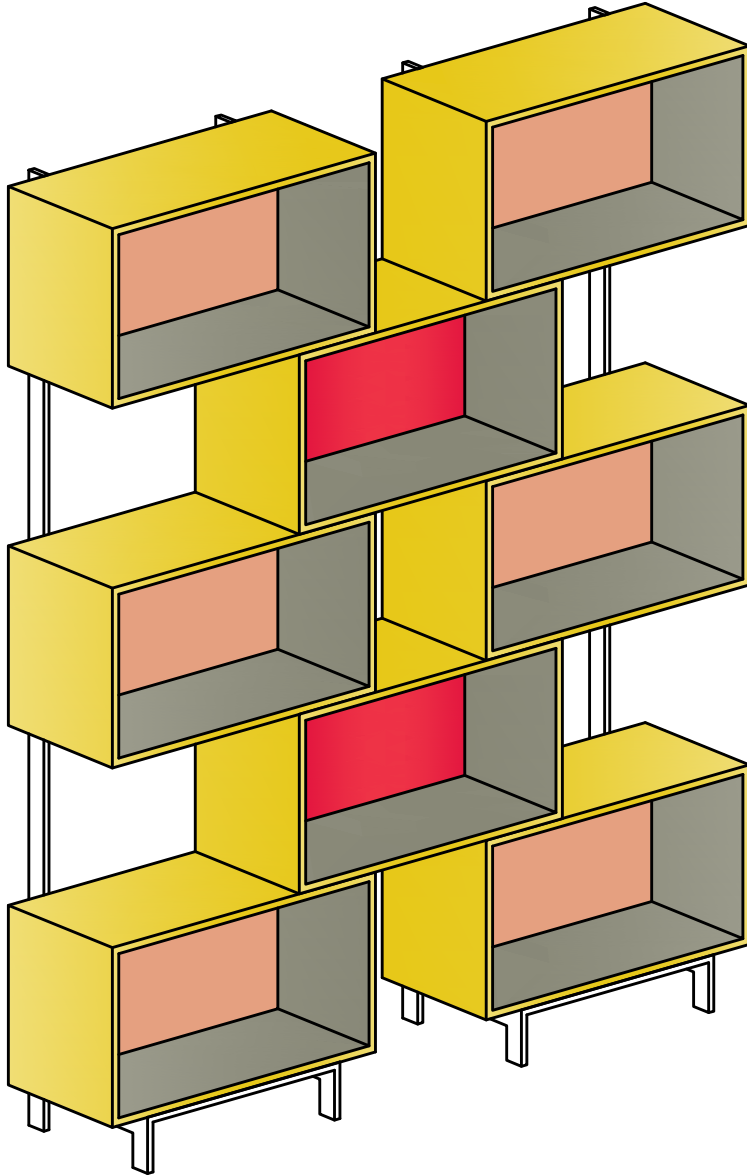


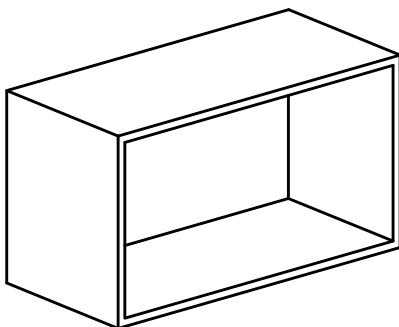
JULIAN CHICHESTER

BOX BOOKCASE ASSEMBLY INSTRUCTIONS

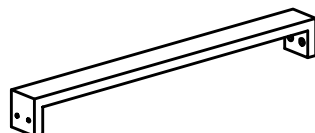
Please read all instructions before beginning assembly.
 We recommend that assembly is performed by a group of two adults.
 Each "Box" is numbered on the back and their position is shown on page 10/10.



PERSPECTIVE



E x 08 pcs

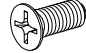


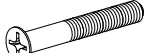


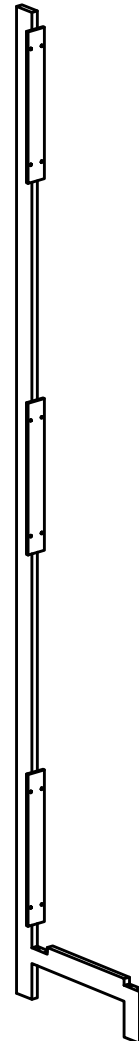
C x 04 pcs



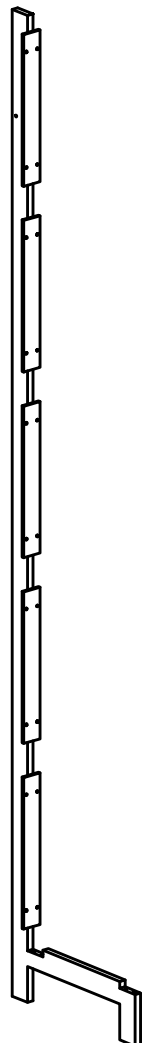
D x 04 pcs

HARDWARES

No	Parts	Q'ty
01	M6 x 15 	16
02	M6 x 20 	20
03	M4 x 20 	72
04	M4 x 30 	16

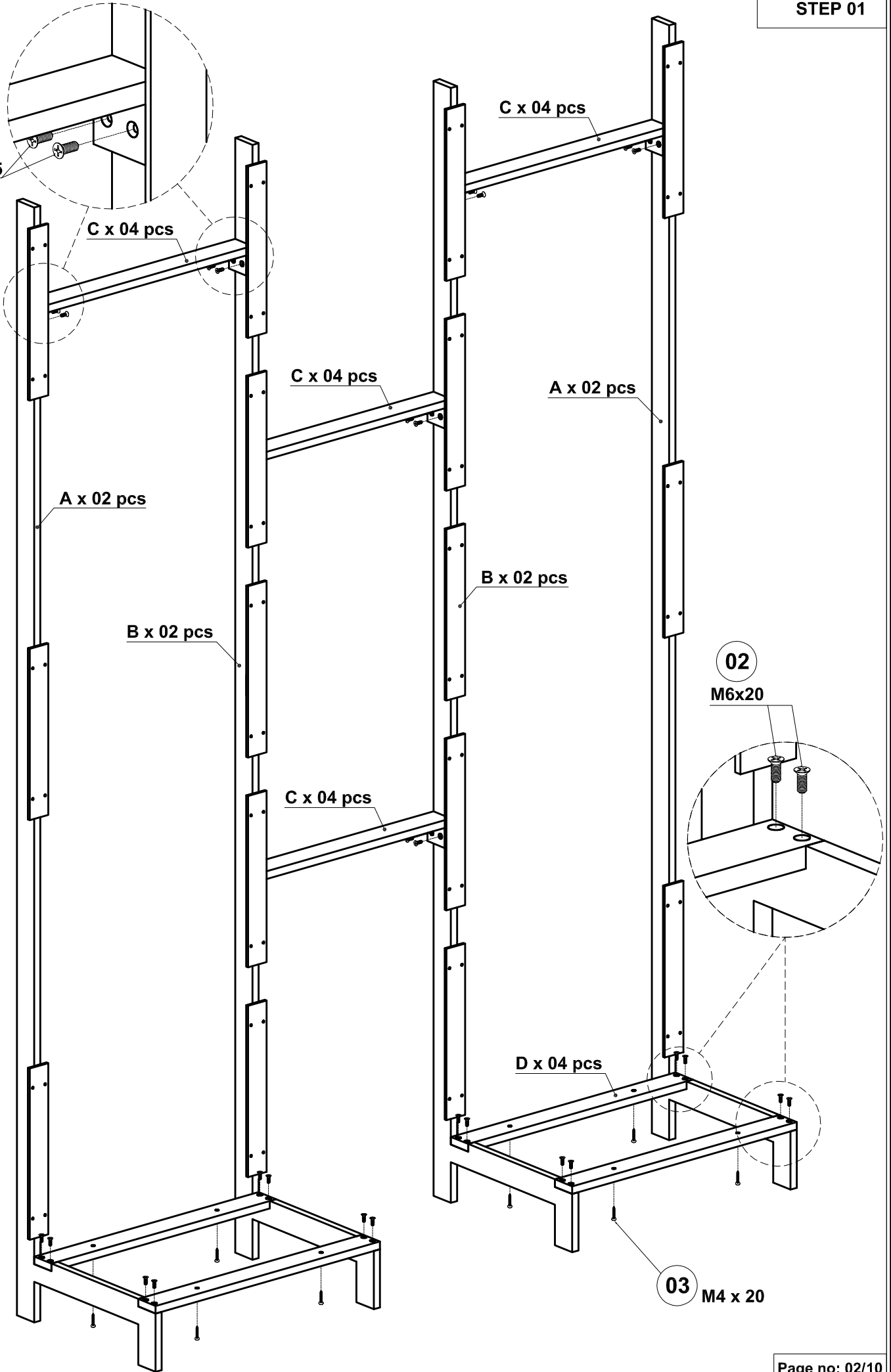


A x 02 pcs



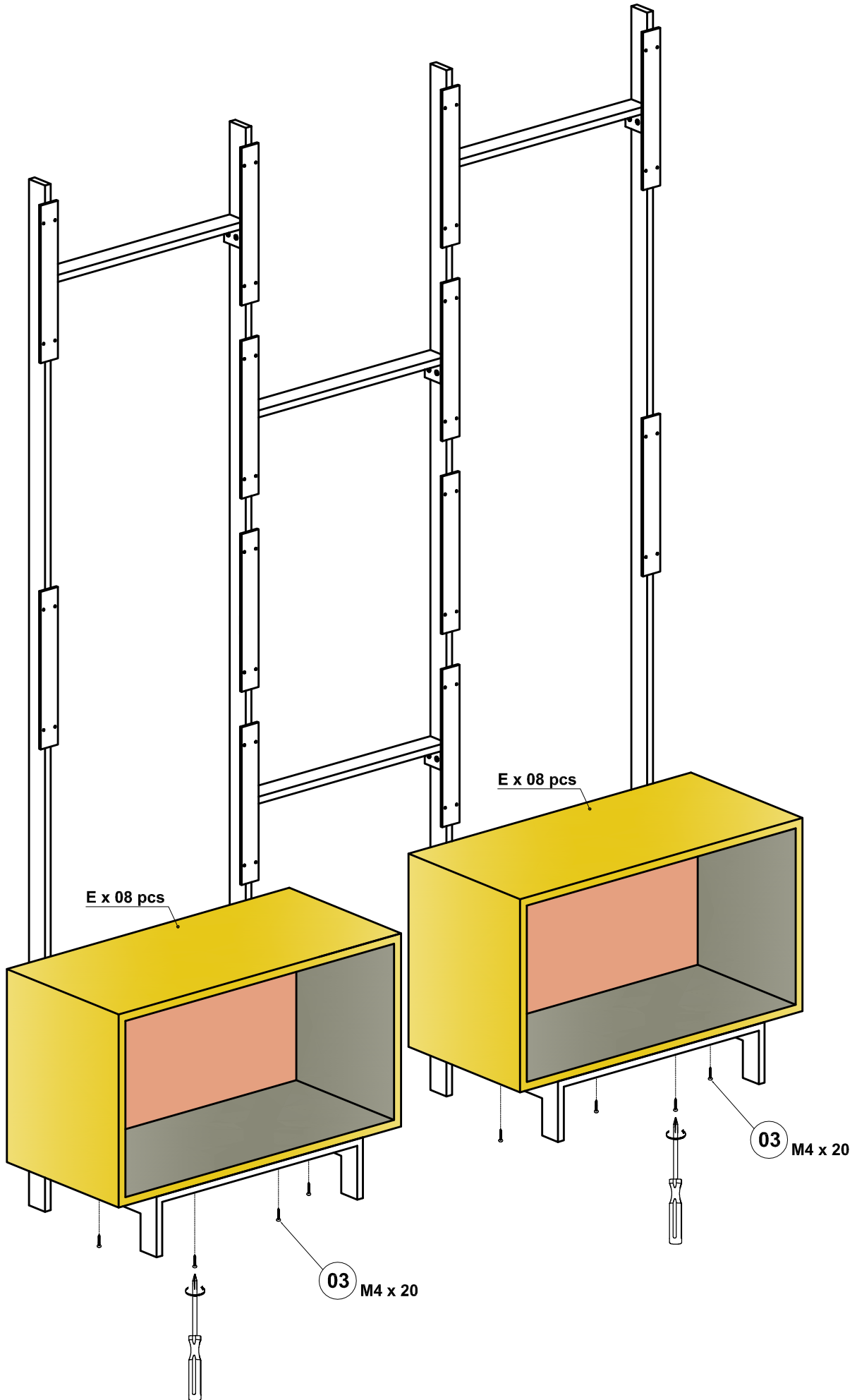
B x 02 pcs

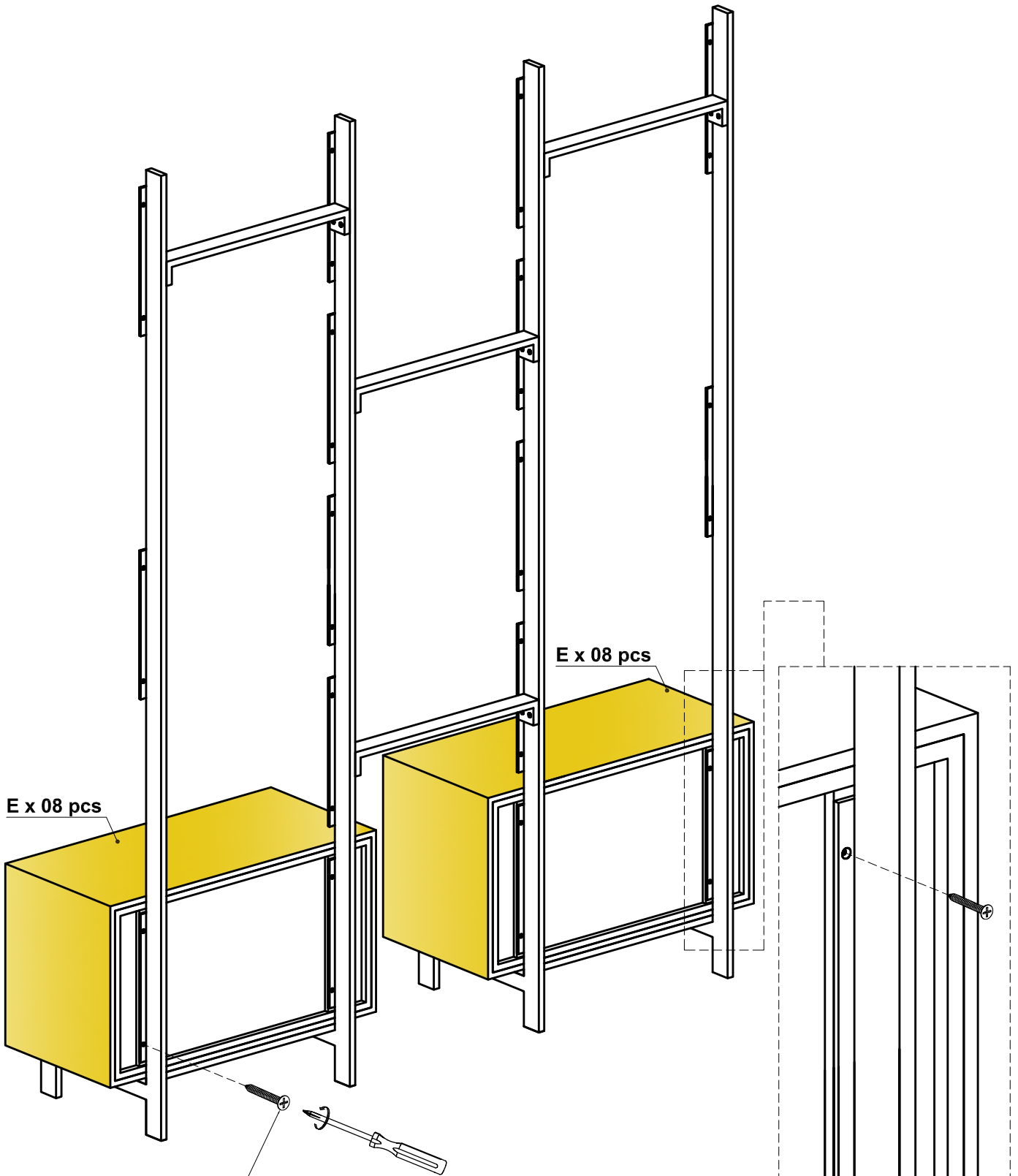
01
M6x15



02
M6x20

03
M4 x 20

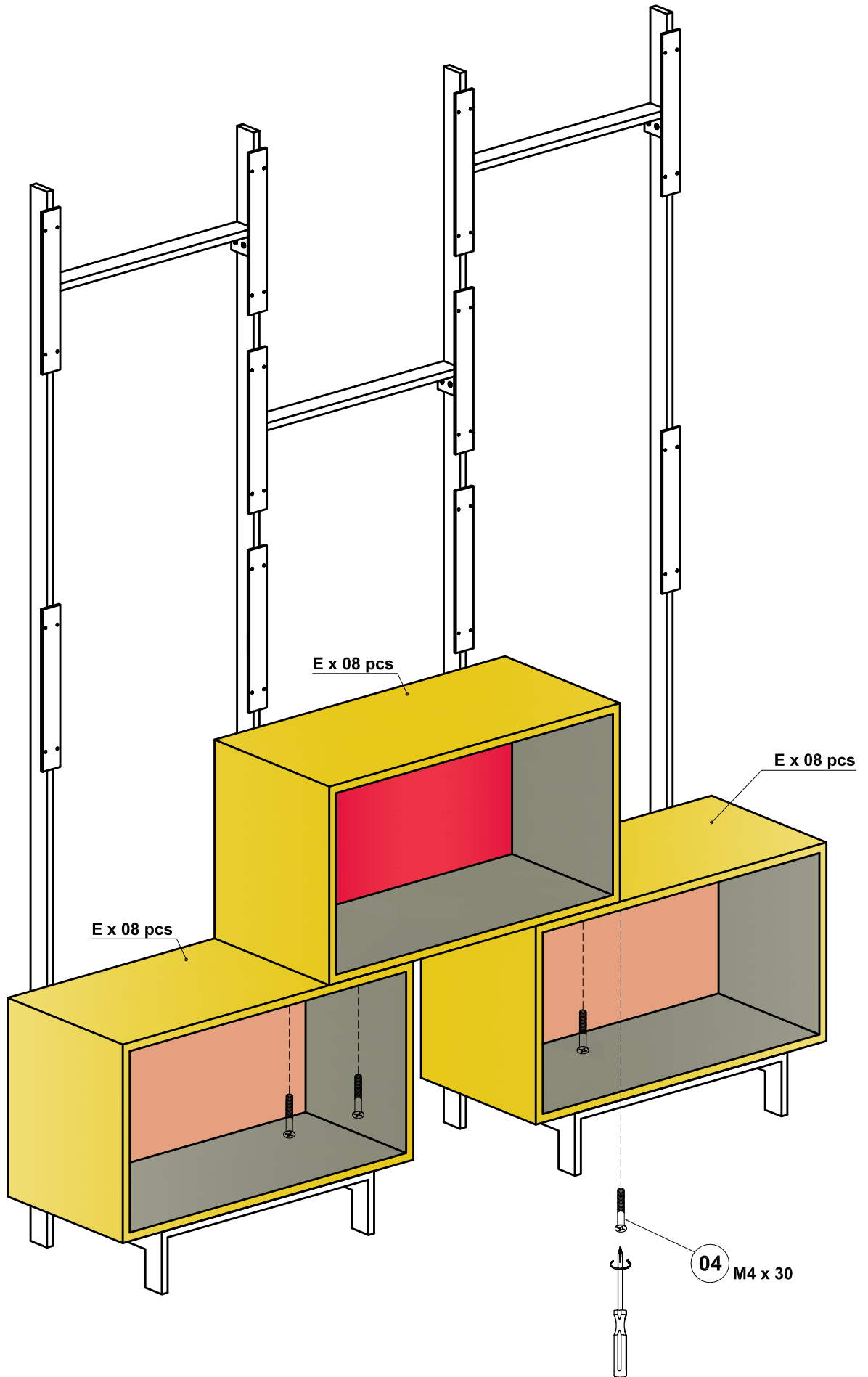


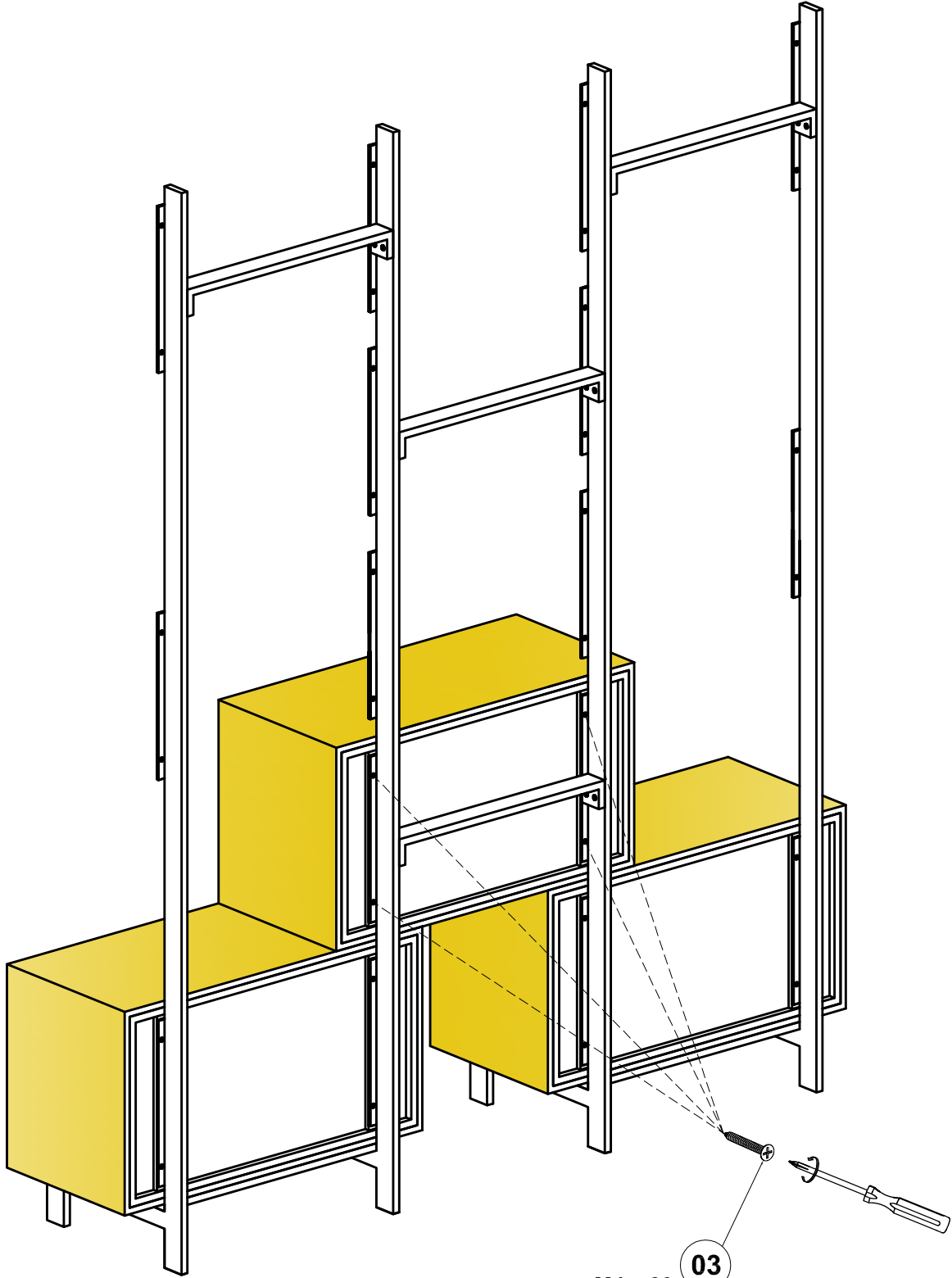


E x 08 pcs

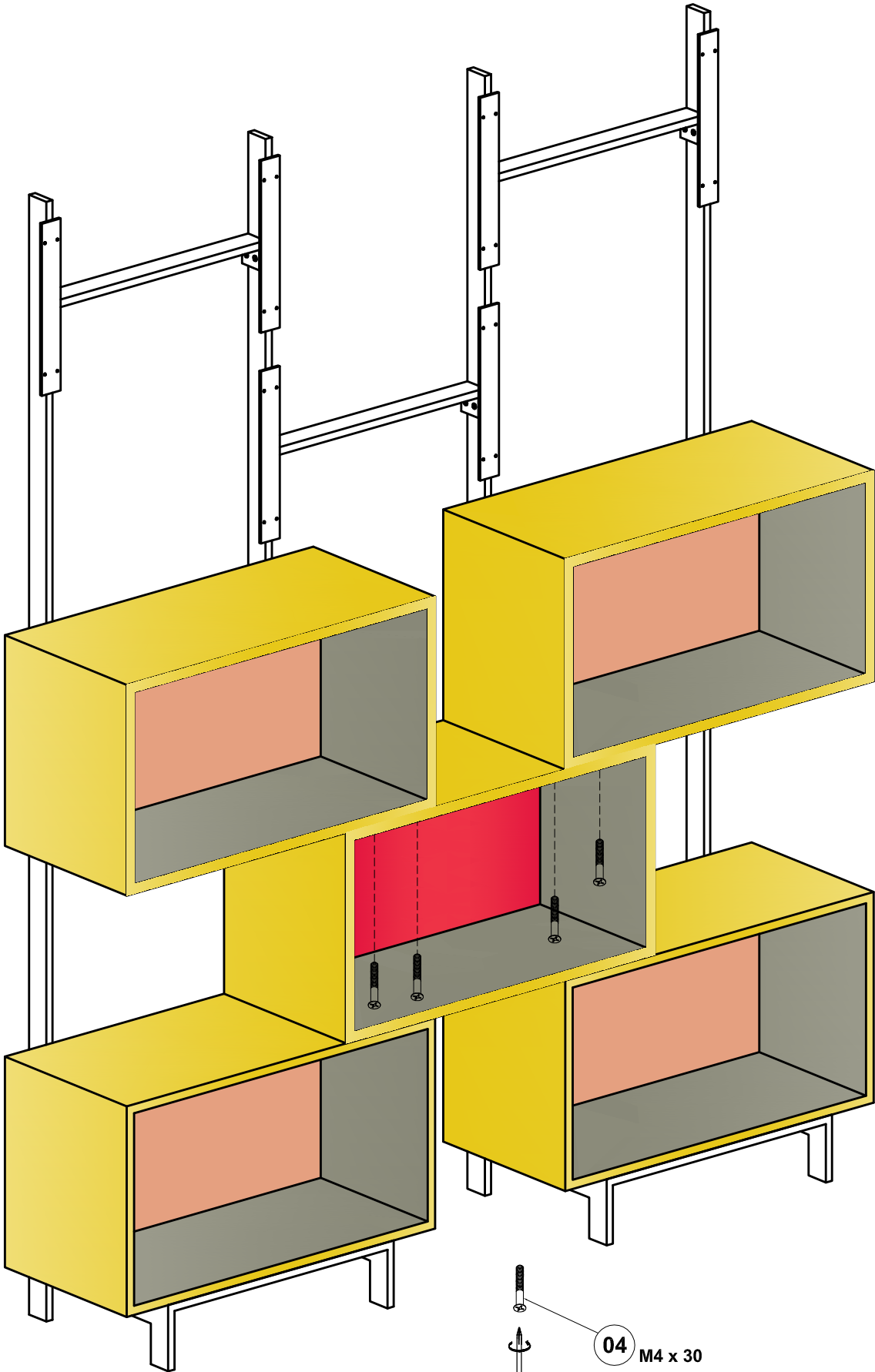
E x 08 pcs

M4 x 20 **03**

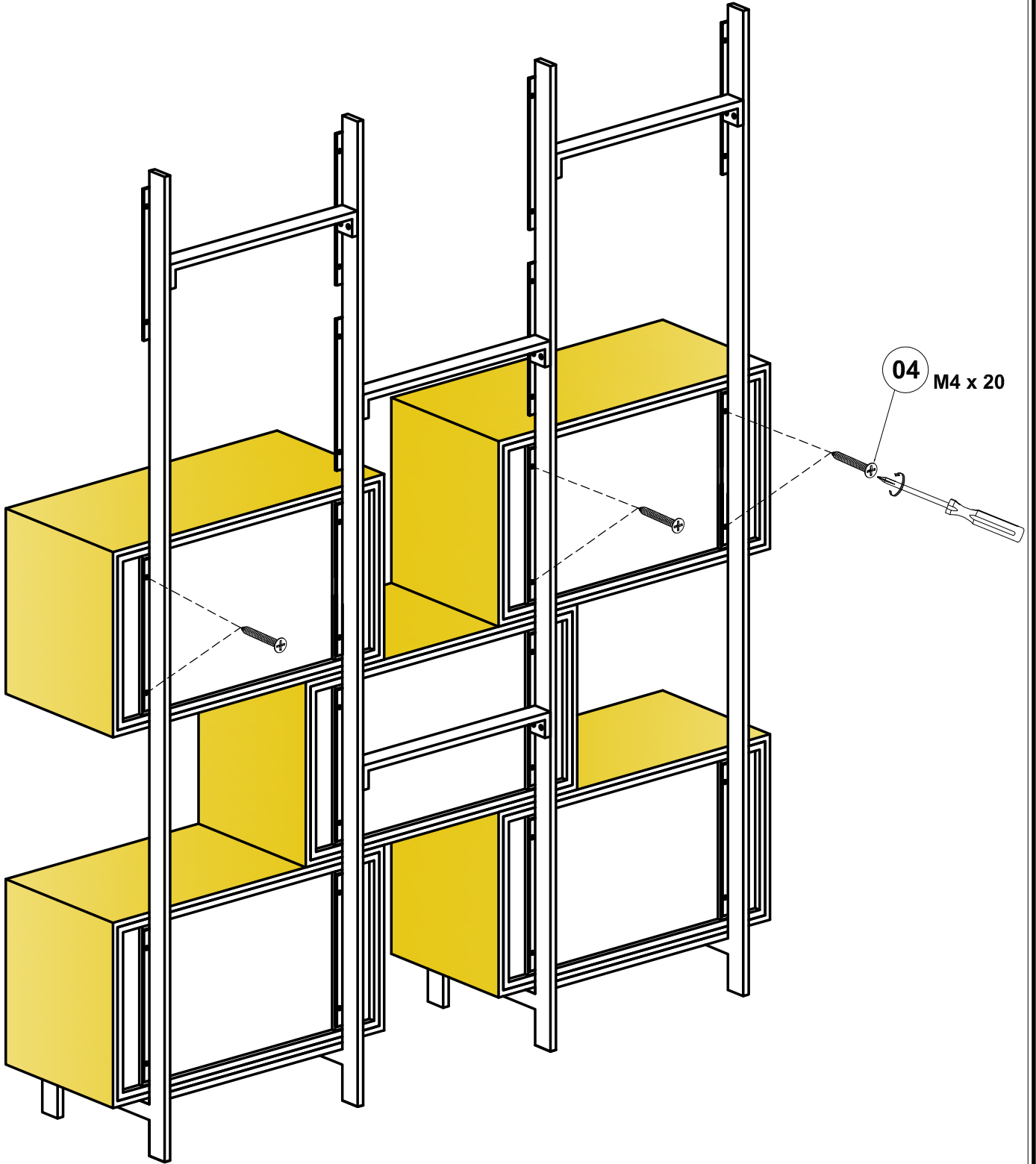




M4 x 20 03

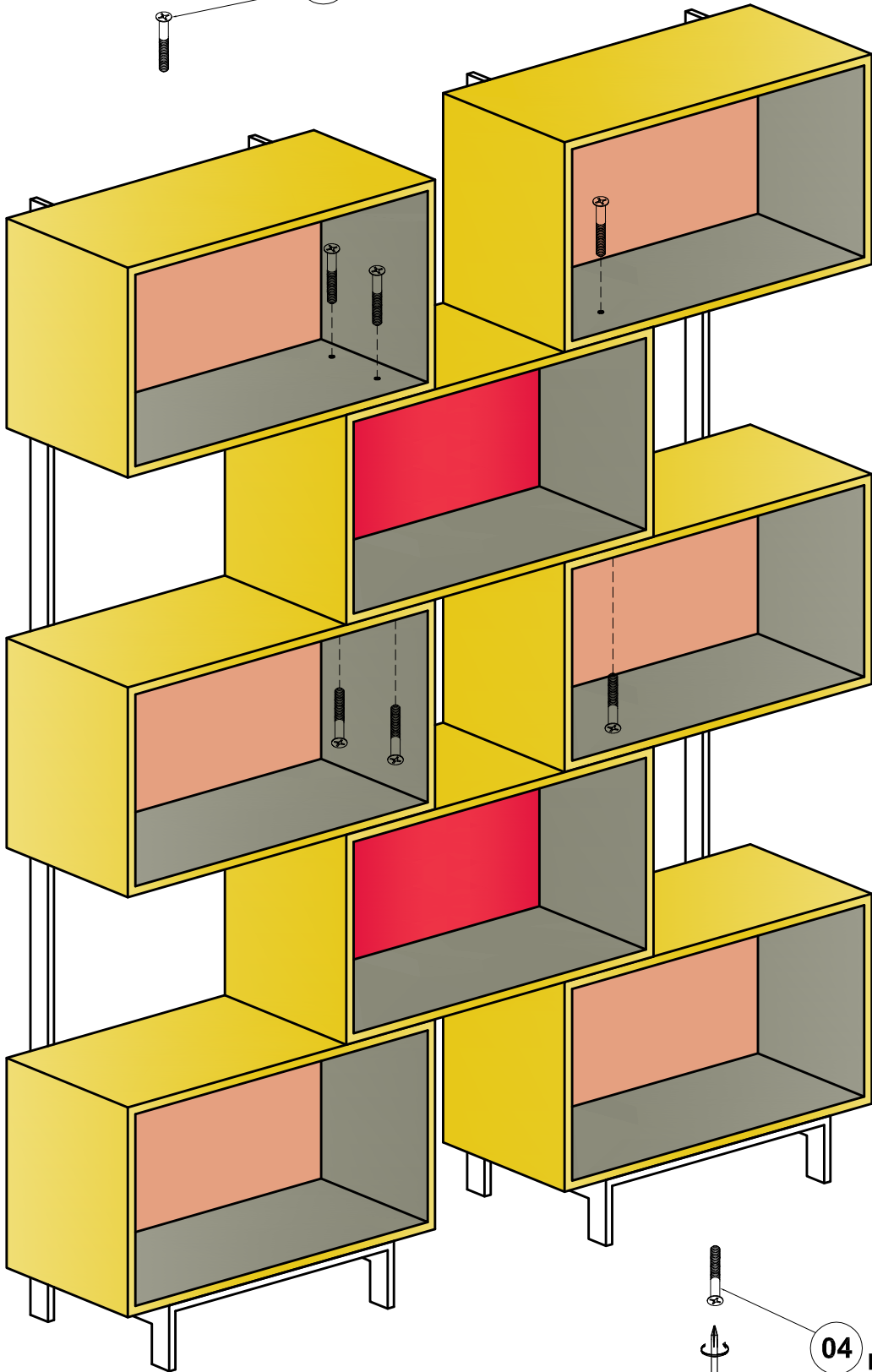


04 M4 x 30





04 M4 x 30



04 M4 x 30

