


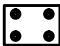


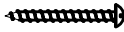



JULIAN CHICHESTER

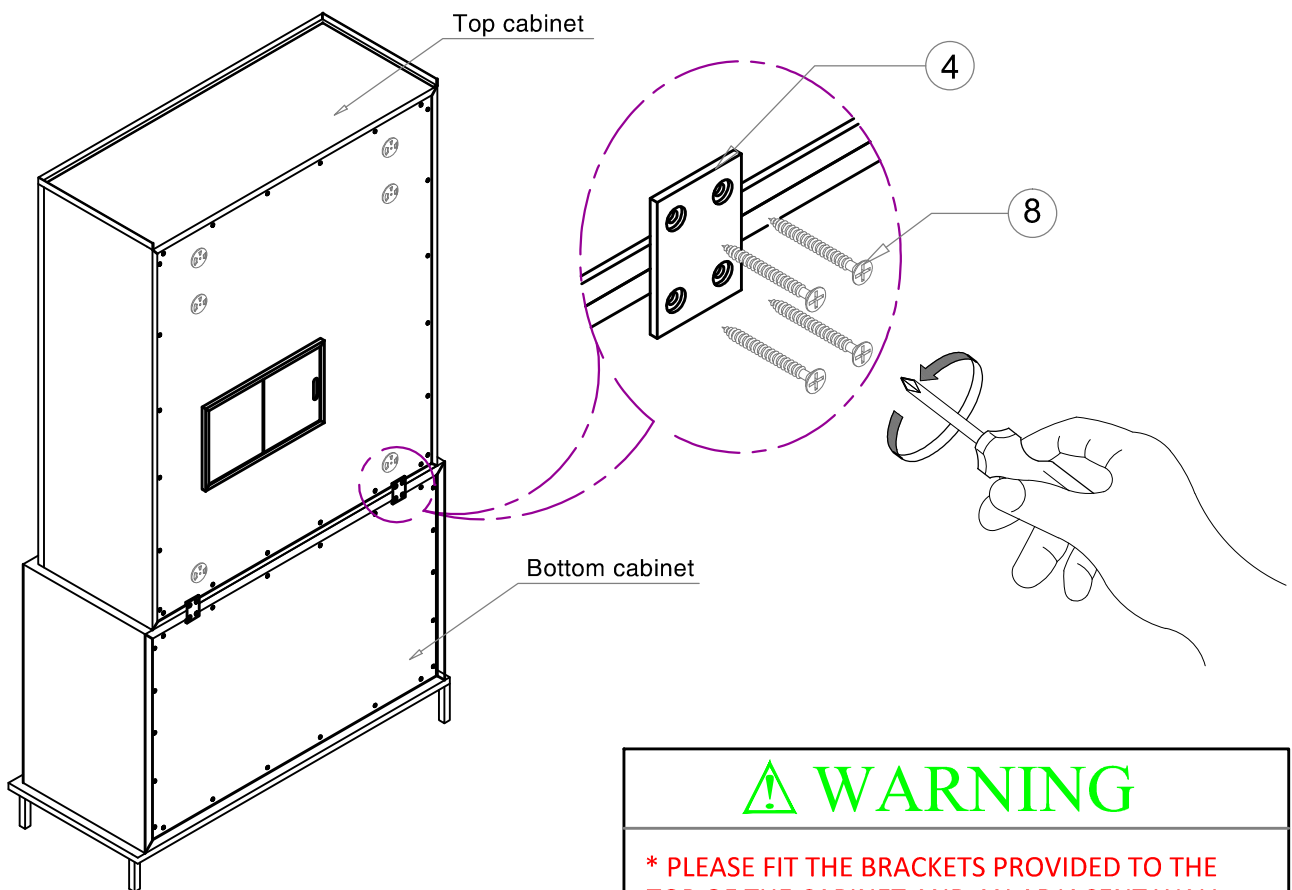
FELIX MEDIA CABINET ASSEMBLY INSTRUCTIONS

Please read all instructions before beginning assembly.
We recommend that assembly is performed by two adults.

Parts and Hardware

1		[2]
2		[2]
3		[2]
4		[2]

5		[2]
6		[2]
7		[2]
8		[8]



WARNING

- * PLEASE FIT THE BRACKETS PROVIDED TO THE TOP OF THE CABINET AND AN ADJACENT WALL.
- * THIS IS TO PREVENT THE CABINET FROM TIPPING FORWARD IN SOME CIRCUMSTANCES.

High Point

1120 Bedford Street, High Point, NC 27263

Office +1(336) 886 2454 @jchichesterusa

sales@julianchichesterusa.com

julianchichester.com

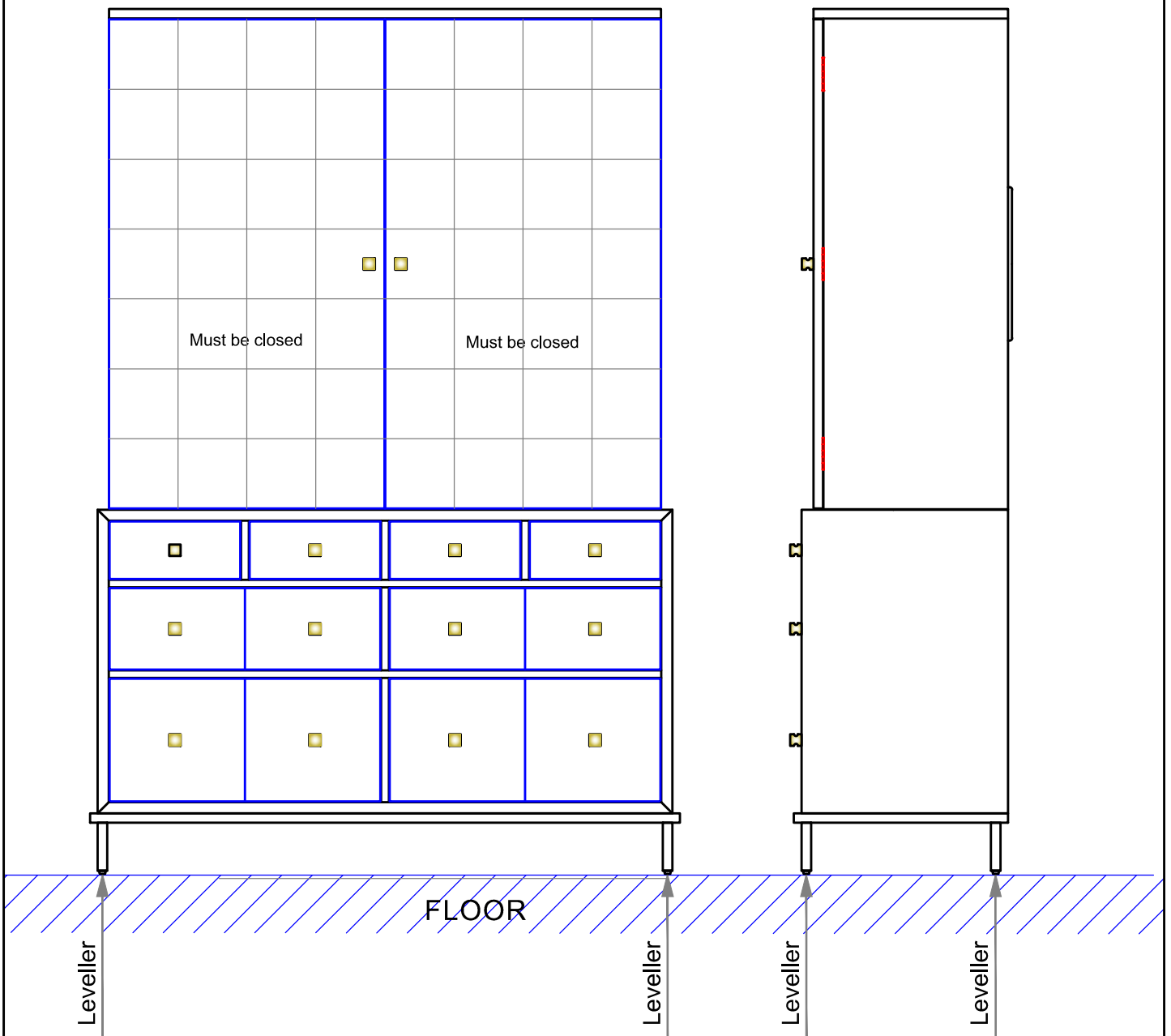
Page 1 of 3

JULIAN CHICHESTER

FELIX MEDIA CABINET ASSEMBLY INSTRUCTIONS

WHEN THE CABINET IS INSTALLED IN POSITION, THE LEVELLERS AT THE BOTTOM OF THE FEET MAY NEED ADJUSTING TO MAKE SURE THE CABINET IS LEVEL AND THE DOORS LINE UP AND FUNCTION CORRECTLY.

FAILURE TO DO THIS MAY RESULT IN SOME DAMAGE TO THE DOORS.



High Point

1120 Bedford Street, High Point, NC 27263

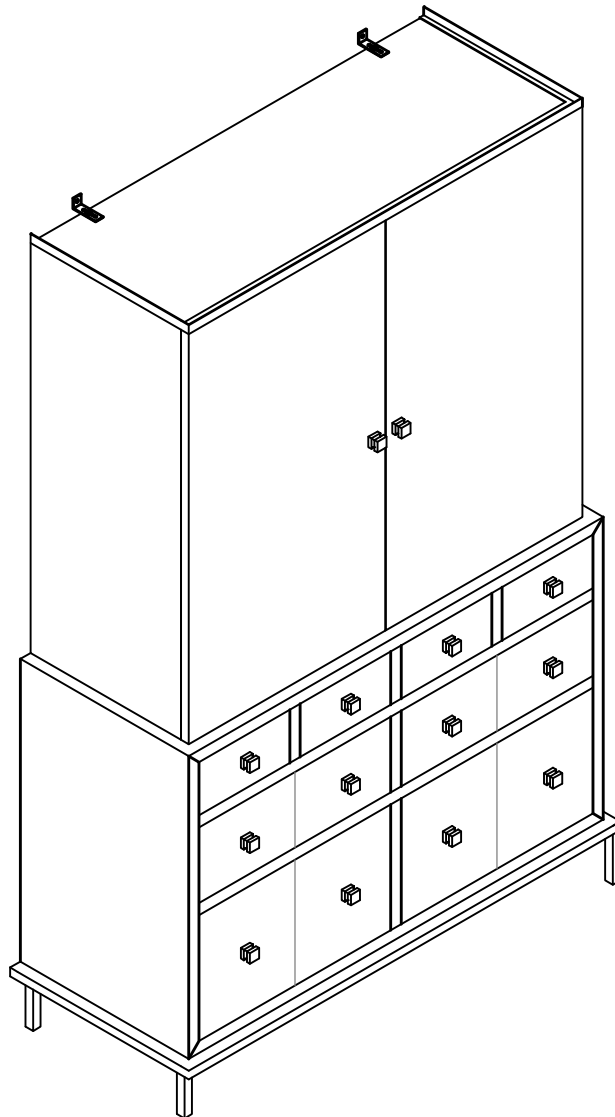
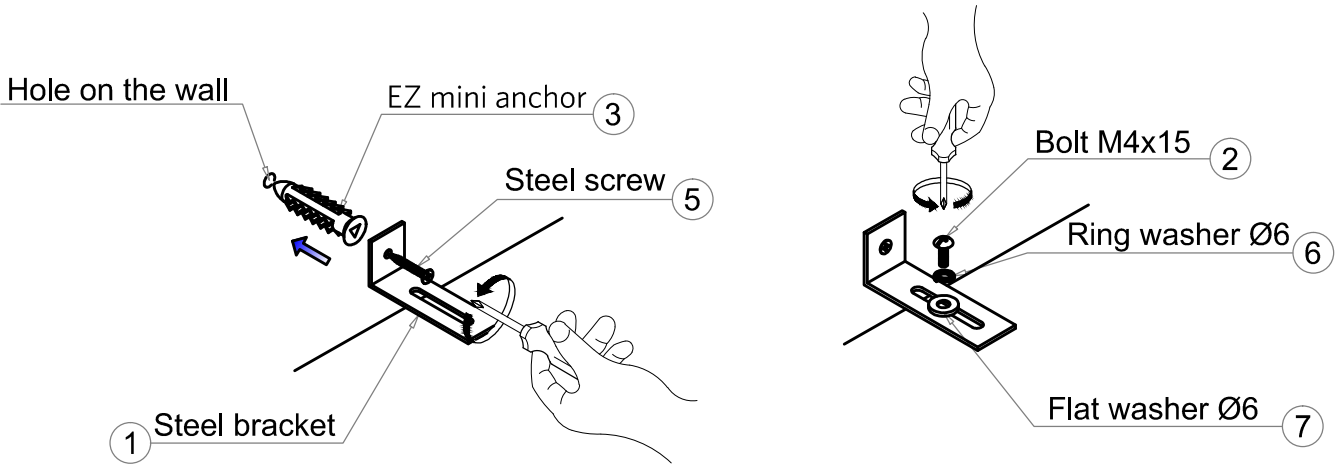
Office +1(336) 886 2454 @jchichesterusa

sales@julianchichesterusa.com

julianchichester.com

JULIAN CHICHESTER

FELIX MEDIA CABINET ASSEMBLY INSTRUCTIONS



High Point

1120 Bedford Street, High Point, NC 27263

Office +1(336) 886 2454 @jchichesterusa

sales@julianchichesterusa.com

julianchichester.com