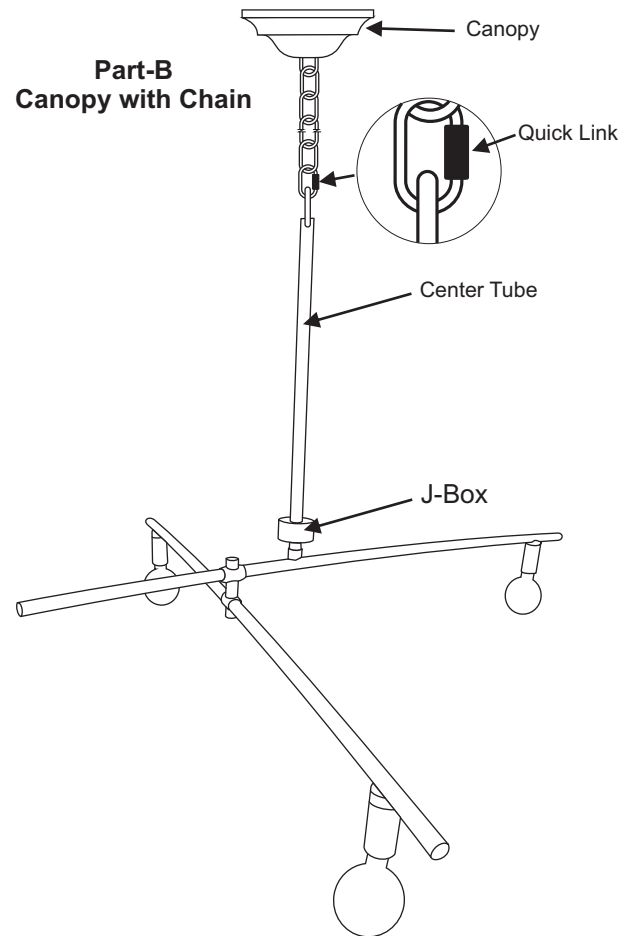
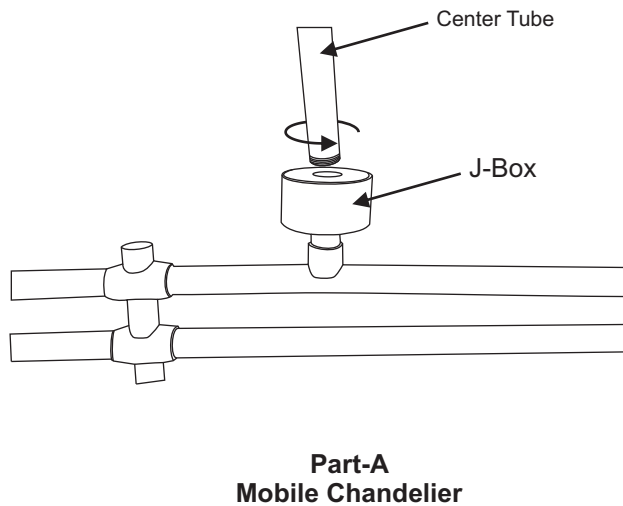


Mobile Chandelier

Assembly Instructions

Warning : It is recommended that this fixture is installed by a licensed electrician only and please follow another provided instruction card for lighting connection/canopy purpose.



ASSEMBLY INSTRUCTION

STEP - 1 :

Unpack the product and keep it on clean non marring surface. Do not discard any packaging material until the assembly is complete.

STEP - 2 :

Align center tube on J-Box and rotate in clockwise direction until secured firmly. Use quick link to connect canopy with pre-assembly of mobile chandelier and center tube. Install the bulb (not included) onto the holder. Product is ready to use.

CARE & MAINTENANCE INSTRUCTIONS:

Cautions :-Gently rotate the mobile chandelier Part-A

Do not over-rotate mobile chandelier part-A in usage on either side.










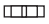
JUST WIPE CLEAN WITH SOFT CLOTH.

Do not use polishes or cleaners on your Chandelier.

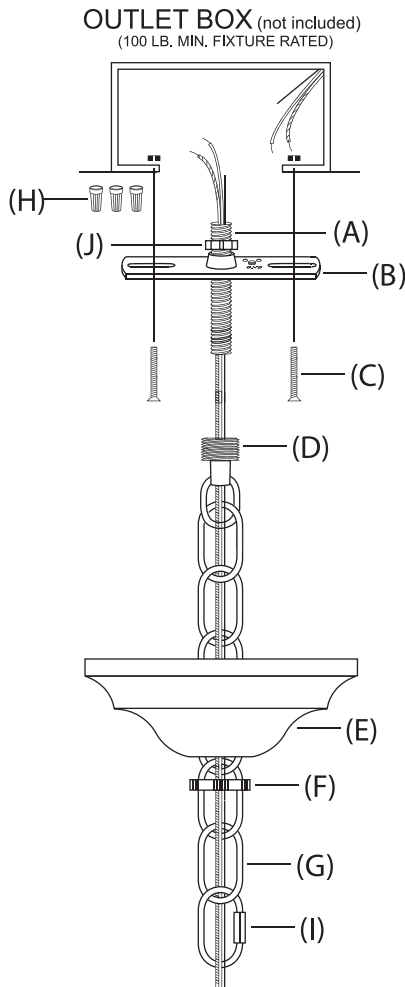
Thank you for your purchase

ASSEMBLY INSTRUCTION FOR CANOPY

PARTS:

ITEM	DIAGRAM	DESCRIPTION	QTY
(A)		THREADED TUBE	1
(B)		CROSS BAR	1
(C)		MOUNTING SCREWS WITH NUT	2
(D)		HANG STRAIGHT	1
(E)		CANOPY	1
(F)		COLLAR	1
(G)		CHAIN	1
(H)		WIRE NUT	3
(I)		QUICK LINK	1
(J)		SECURITY NUT	1

ASSEMBLY



IMPORTANT SAFETY INSTRUCTIONS:

*These instructions are provided for your safety. It is very important that they are read completely before beginning the installation of your fixture

THIS DIRECT WIRE FIXTURE MUST BE INSTALLED BY A CERTIFIED AND LICENSED ELECTRICIAN. Customer should not attempt to install.

TURN OFF ELECTRICITY AT MAIN CIRCUIT BREAKER PANEL BEFORE BEGINNING INSTALLATION.

DUE TO THE WEIGHT OF THIS ITEM, THE MINIMUM RATING ON YOUR CEILING OUTLET BOX MUST BE 100 LBS. FOR FIXTURES. IT'S IMPERATIVE THAT YOU FOLLOW THE MANUFACTURERS INSTRUCTIONS FOR CEILING OUTLET BOX INSTALLATION.

IF ANY SPECIAL CONTROL DEVICES ARE USED WITH THIS FIXTURE, FOLLOW THE INSTRUCTIONS CAREFULLY TO ASSURE FULL COMPLIANCE WITH N.E.C. REQUIREMENTS. IF THERE ARE ANY QUESTIONS, CONTACT A LICENSED ELECTRICAL CONTRACTOR.

INSTRUCTIONS:

1. Measure desired drop for fixture to hang from ceiling. Remove any unnecessary links from chain (G) using a chain-break tool (not included).
2. Attach chain (G) to top loop on fixture. to the opposite end of chain. Thread wires from fixture through chain (G)
3. Attach cross bar (B) (with threaded tubes (A) attached) to ceiling outlet box using mounting screws (C). NOTE: DUE TO THE WEIGHT OF THIS ITEM, THE MINIMUM RATING ON YOUR CEILING OUTLET BOX MUST BE 100 LBS. FOR FIXTURES.
4. Remove collar (F) from hang straight (D). Slide collar (F) over and chain (G). Slide canopy (E) and chain (G).
5. Thread hang straight (D) onto bottom of threaded tube (A).
6. Lift fixture to ceiling and thread wiring from fixture through center of hang straight (D) and threaded tube (A) to hang straight (D) to secure fixture to ceiling
7. Pull wires from ceiling outlet box and make proper electrical connections described in steps 8 - 10.
8. A security nut (J) is provided which is to use with threaded tube top end before cross bar (B).
9. Attach ground wire from fixture to ground wire from outlet box. Fasten wires together with wire nut (H) and tightly wrap connection with electrical tape.
10. Fasten wires together with wire nut (H) and tightly wrap connection with electrical tape.
11. Attach neutral wire from fixture to neutral wire from outlet box. Fasten wires together with wire nut (A) and tightly wrap connection with electrical tape. use
12. Slide canopy (E) up chain and hold flush against ceiling. Slide collar (F) up chain (G) and thread onto hang straight (C).

CARE INSTRUCTIONS:

** To clean, use a soft cloth only. DO NOT use any chemical or abrasive cleaners. **