
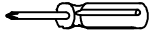
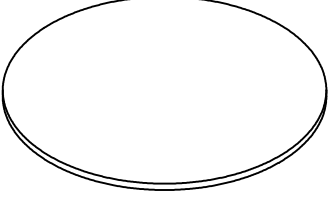
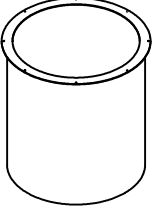


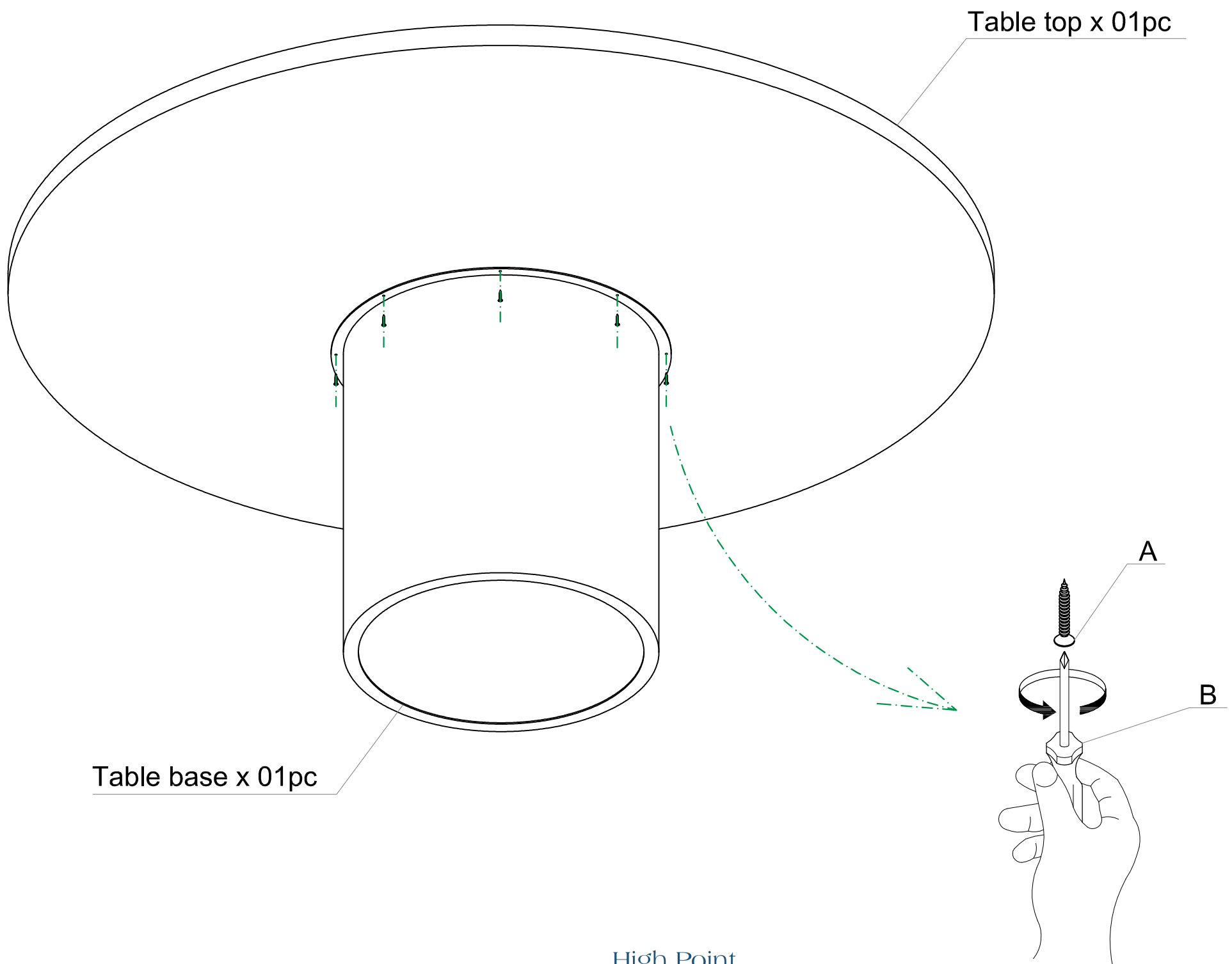
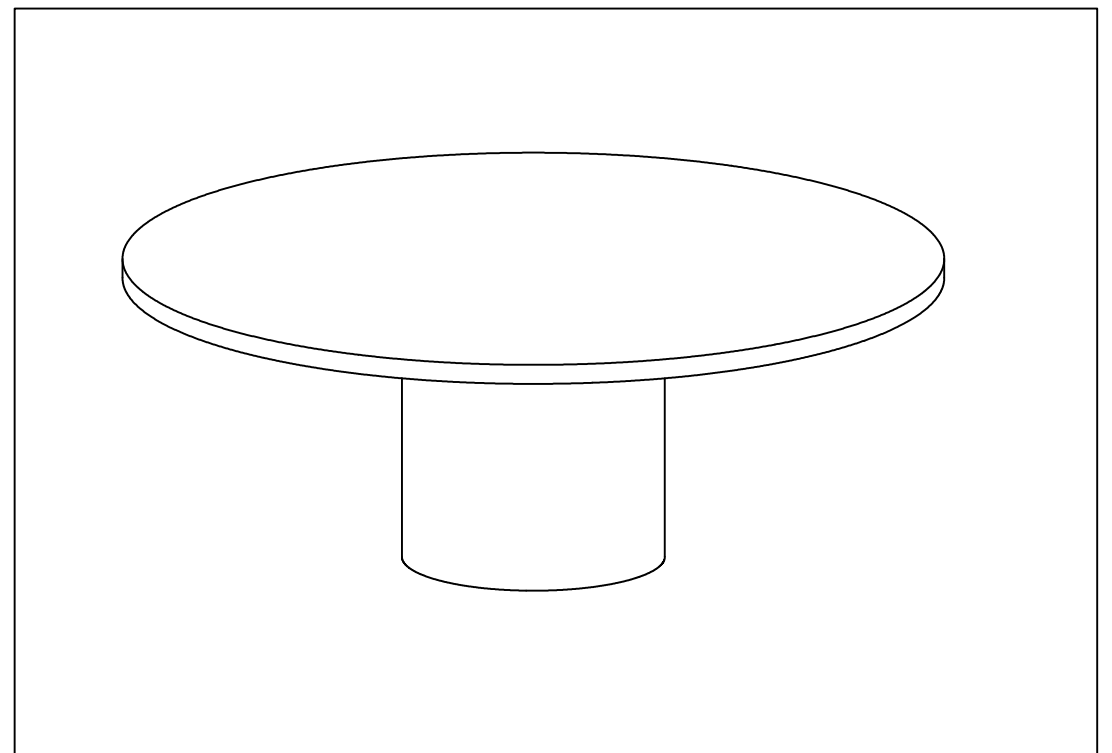
JULIAN CHICHESTER

DRUM BASE TABLE ASSEMBLY INSTRUCTIONS

Please read all instructions before beginning assembly.
We recommend that assembly is undertaken by two adults.

	Part	Quantity
A	 Steel screw M4*25mm	8
B	 Screwdriver	Not Included

 Table top x 01pc	 Table base x 01pc
---	---



High Point

1120 Bedford Street, High Point, NC 27263

Office +1(336) 886 2454 @jchichesterusa

sales@julianchichesterusa.com

julianchichester.com