


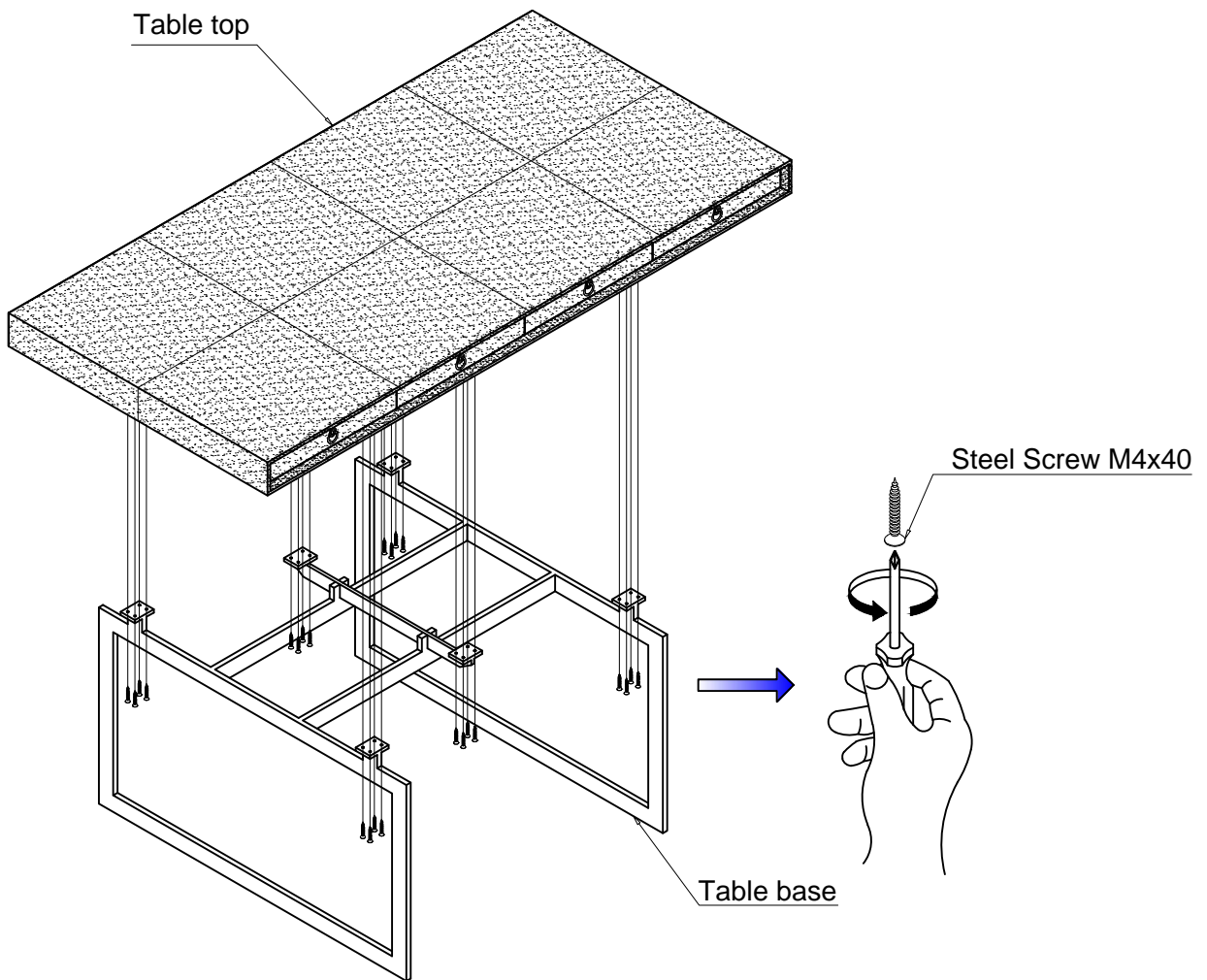
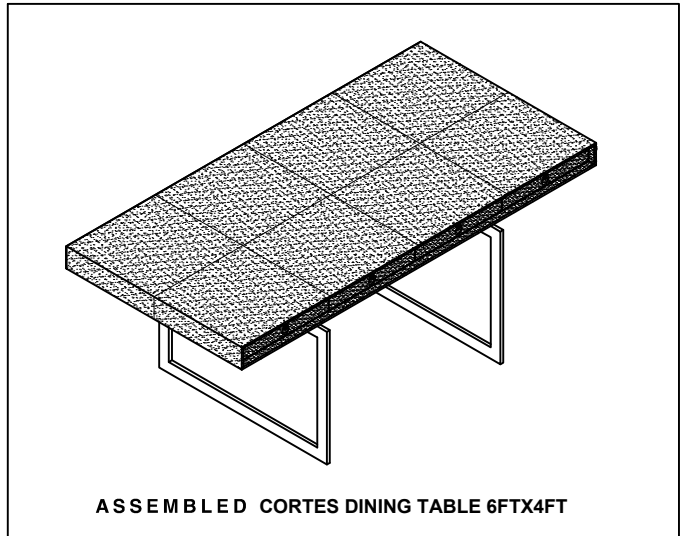
# JULIAN CHICHESTER

## CORTES DINING TABLE ASSEMBLY INSTRUCTIONS

Please read all instructions before beginning assembly.  
We recommend that assembly is performed by two adults.

Parts and Hardware

1		[24]
---	---	------



High Point

1120 Bedford Street, High Point, NC 27263

Office +1(336) 886 2454 @jchichesterusa

sales@julianchichesterusa.com

[julianchichester.com](http://julianchichester.com)